

EN REAR DOOR KIT INSTALLATION MANUAL

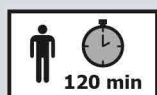
DE MONTAGEEINLEITUNG TÜREN SET

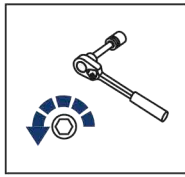
RU ИНСТРУКЦИЯ ПО УСТАНОВКЕ ЗАДНИХ ДВЕРЕЙ КВАДРОЦИКЛА



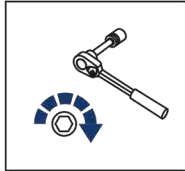
**For: BRP Can-Am Defender MAX (2016-)**

2444.7276.2

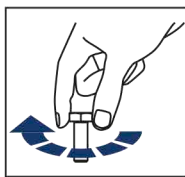




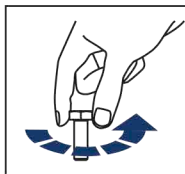
EN Regular fasteners  
DE Schraube herausdrehen  
RU Штатный крепеж



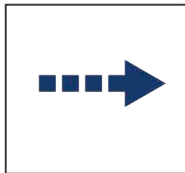
EN Regular fasteners  
DE Schraube eindrehen und festziehen  
RU Штатный крепеж



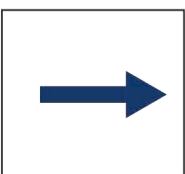
EN Screw a several turns  
DE Schraube wenige Umdrehungen eindrehen  
RU Вкрутить на несколько оборотов



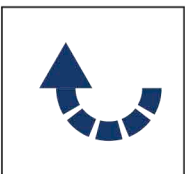
EN Loosen bolts  
DE Schraube wenige Umdrehungen lösen  
RU Выкрутить на несколько оборотов



EN Movement Arrow  
DE Bewegungsrichtung  
RU Движение

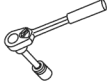
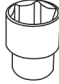



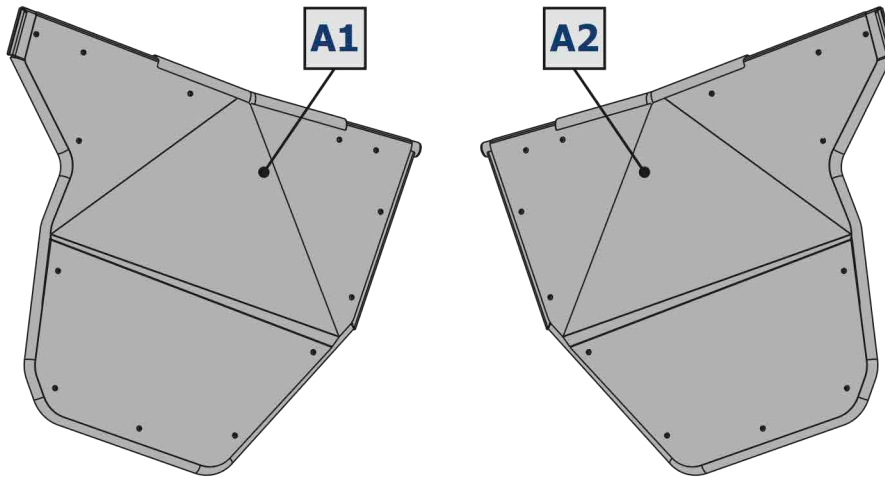
EN Location/Position Arrow  
DE Blickrichtung / Postionsrichtung  
RU Расположение

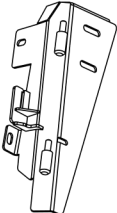
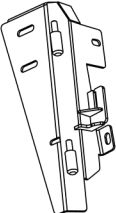
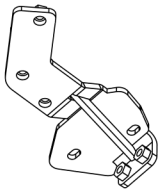
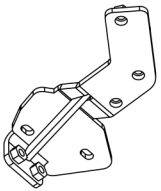

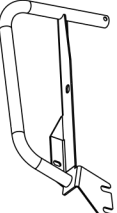
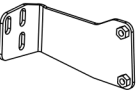
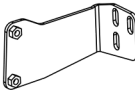
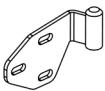
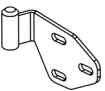
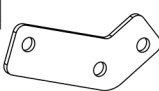
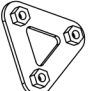
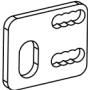

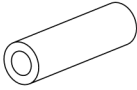
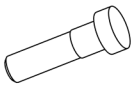
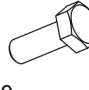
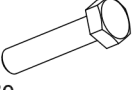
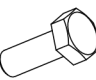
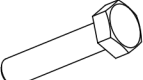

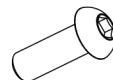











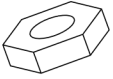
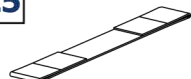


EN Screw Arrow  
DE Drehrichtung  
RU Поворот

**PART & HARDWARE LIST**  
**FRONT DOORS ONLY (2444.7266.2 BOX)**

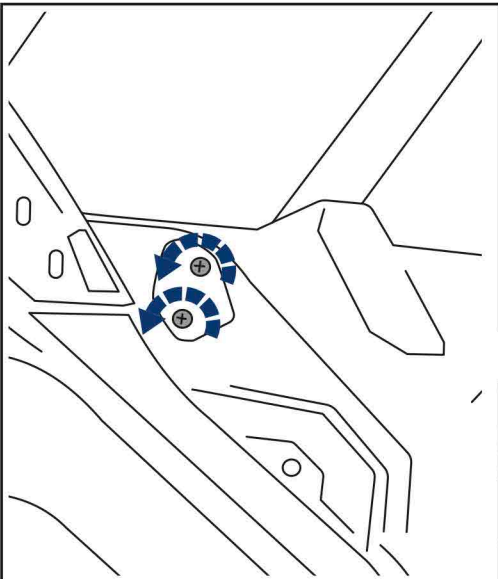
	EN Ratchet DE Ratsche RU Трещётка		S - 10; S - 17		HEX S - 4; S - 5
-----------------------------------------------------------------------------------	-----------------------------------------	-----------------------------------------------------------------------------------	-------------------	------------------------------------------------------------------------------------	------------------------



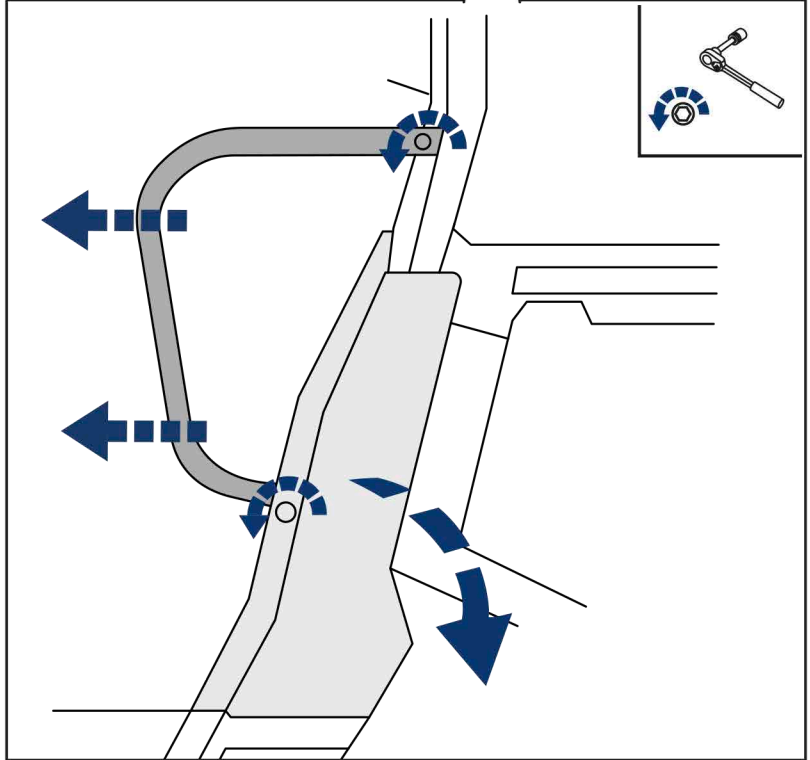
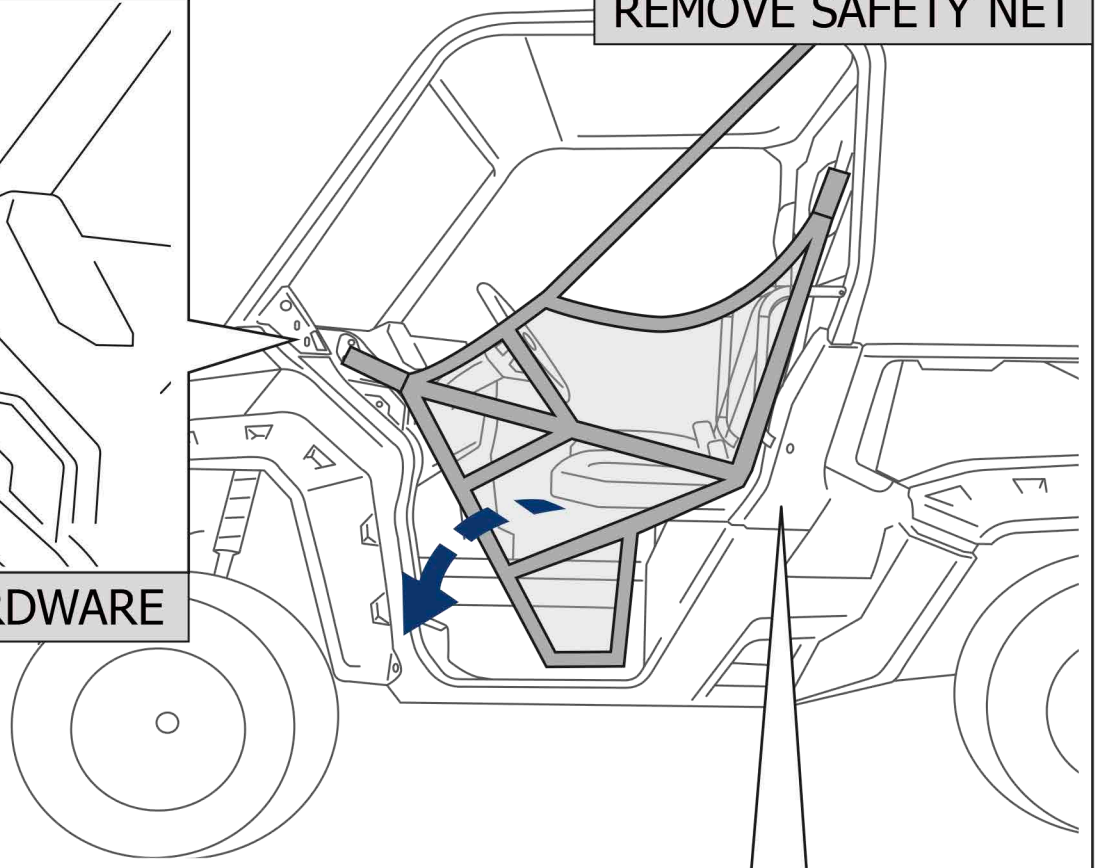
<b>B1</b>  x1	<b>B2</b>  x1	<b>C1</b>  x1	<b>C2</b>  x1	<b>D1</b>  x1	<b>D2</b>  x1
<b>E1</b>  x1	<b>E2</b>  x1	<b>F1</b>  x2	<b>F2</b>  x2	<b>1</b>  x2	<b>2</b>  x4 M6
<b>3</b>  x2	<b>4</b>  x10	<b>5</b>  x2	<b>6</b>  x2	<b>7</b>  x12 M6x20	<b>8</b>  x2 M6x70
<b>9</b>  x4 M8x20	<b>10</b>  x4 M10x80	<b>11</b>  x6 M6x16	<b>12</b>  x4 M6x25	<b>13</b>  x2 M6x35	<b>14</b>  x8 M8x20
<b>15</b>  x6 ø6	<b>16</b>  x12 ø6	<b>17</b>  x18 ø6	<b>18</b>  x8 ø8	<b>19</b>  x8 ø8	<b>20</b>  x4 ø10
<b>21</b>  x8 ø10	<b>22</b>  x2 M6	<b>23</b>  x4 M8	<b>24</b>  x4 M10	<b>25</b>  x2	

PRE-INSTALLATION: LAY OUT COMPONENTS AND COMPARE TO LIST AND IMAGES. IMAGES MAY NOT PORTRAY THE FULL DETAIL OR EXACT SHAPE OF THE PARTS; HOWEVER, THEY REPRESENT PARTS THAT HAVE SAME OR SIMILAR FUNCTION.

REMOVE SAFETY NET

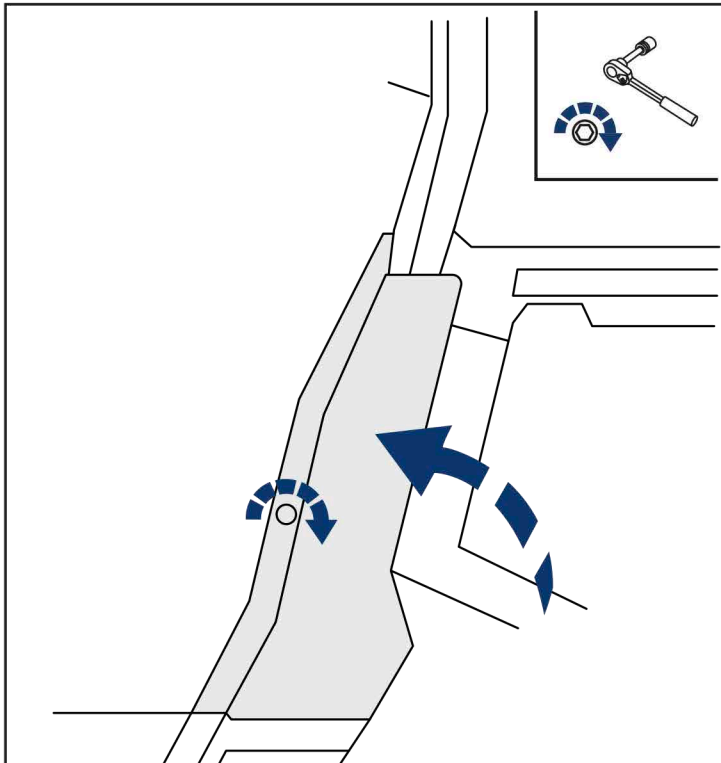


REMOVE HARDWARE

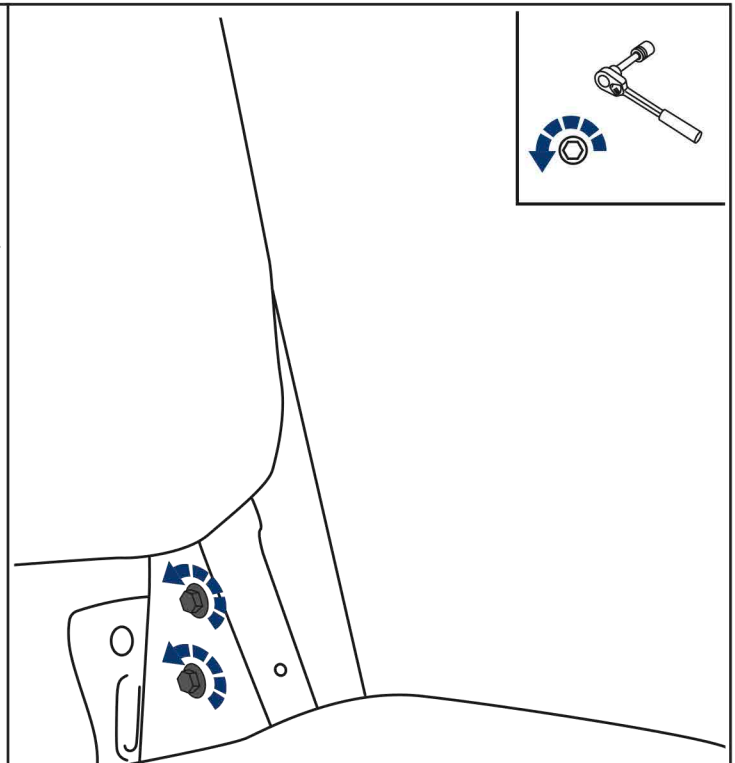


REMOVE PROTECTOR TUBE

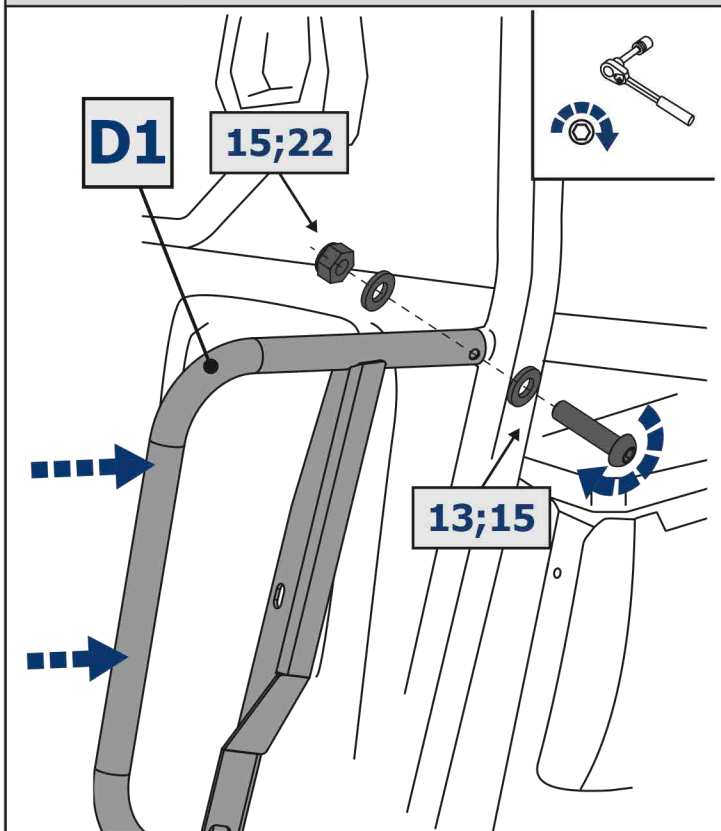
REMOVE CAGE COVER



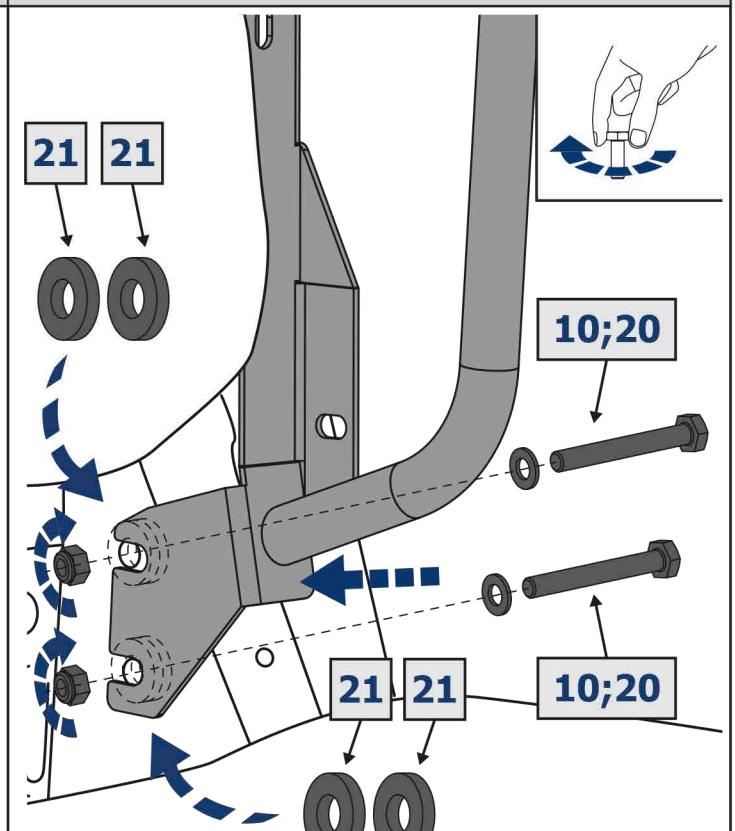
REINSTALL CAGE COVER WITH STOCK HARDWARE

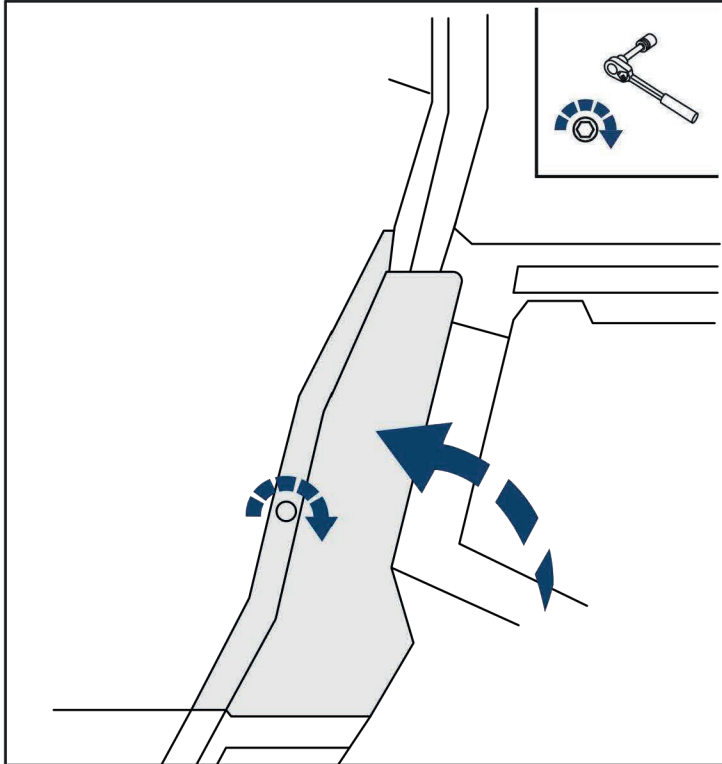


REMOVE HARDWARE

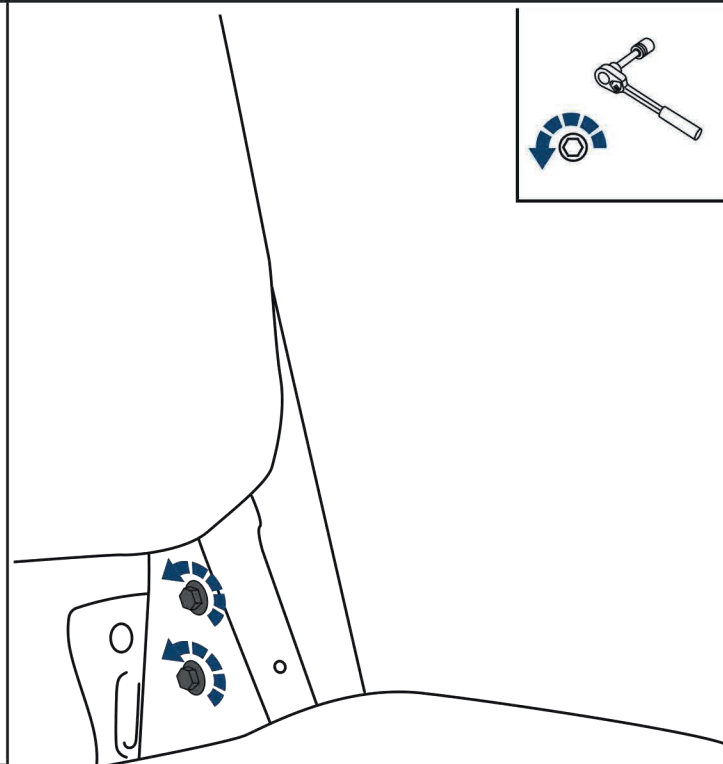


REINSTALL PROTECTOR TUBE

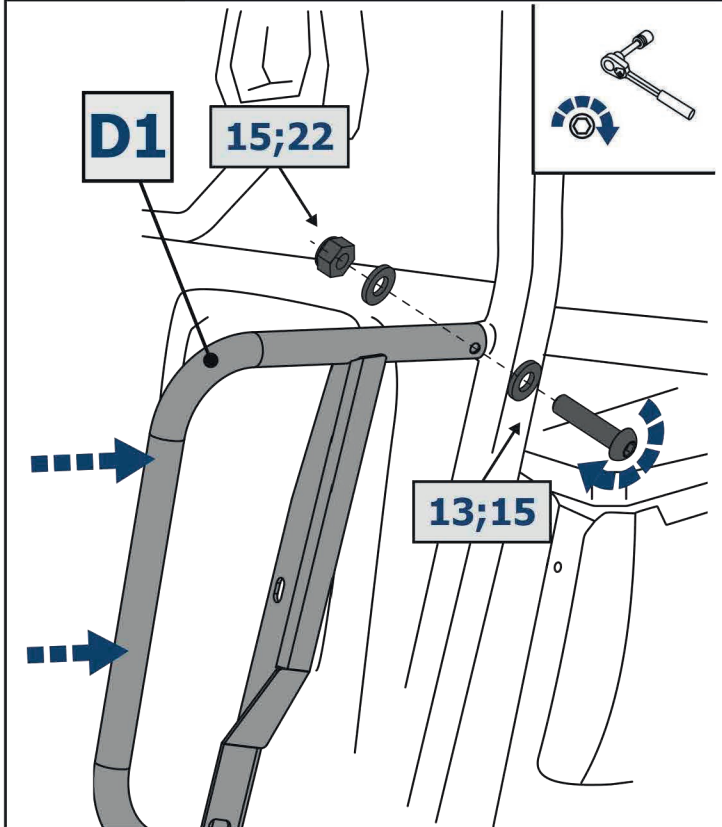




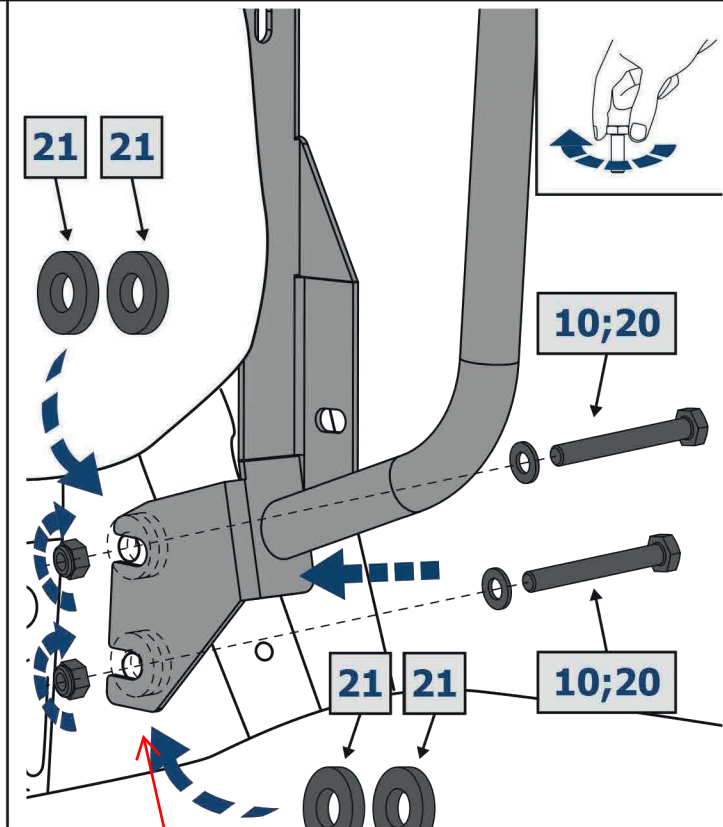
**REINSTALL CAGE COVER WITH STOCK HARDWARE**



**REMOVE HARDWARE**

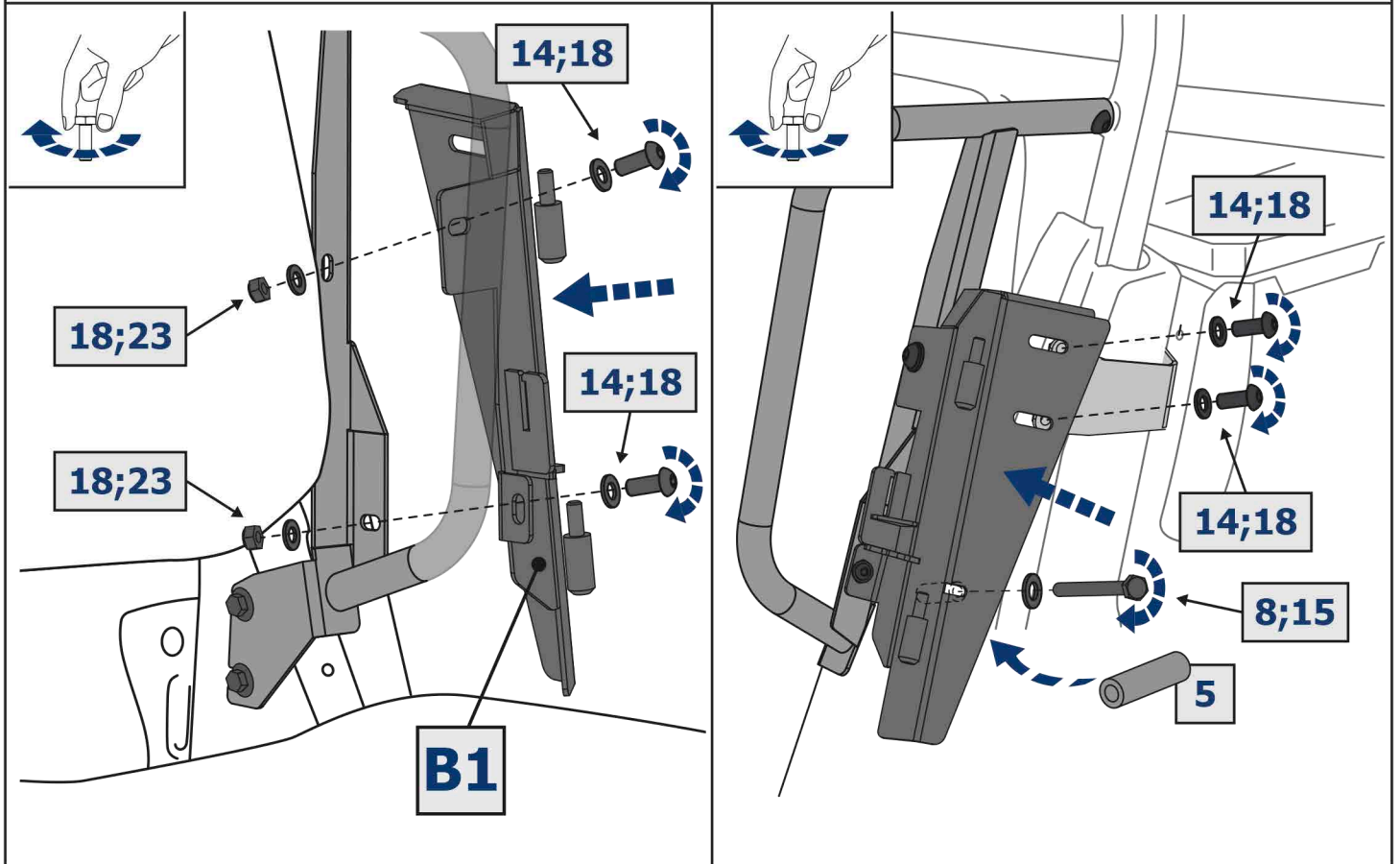
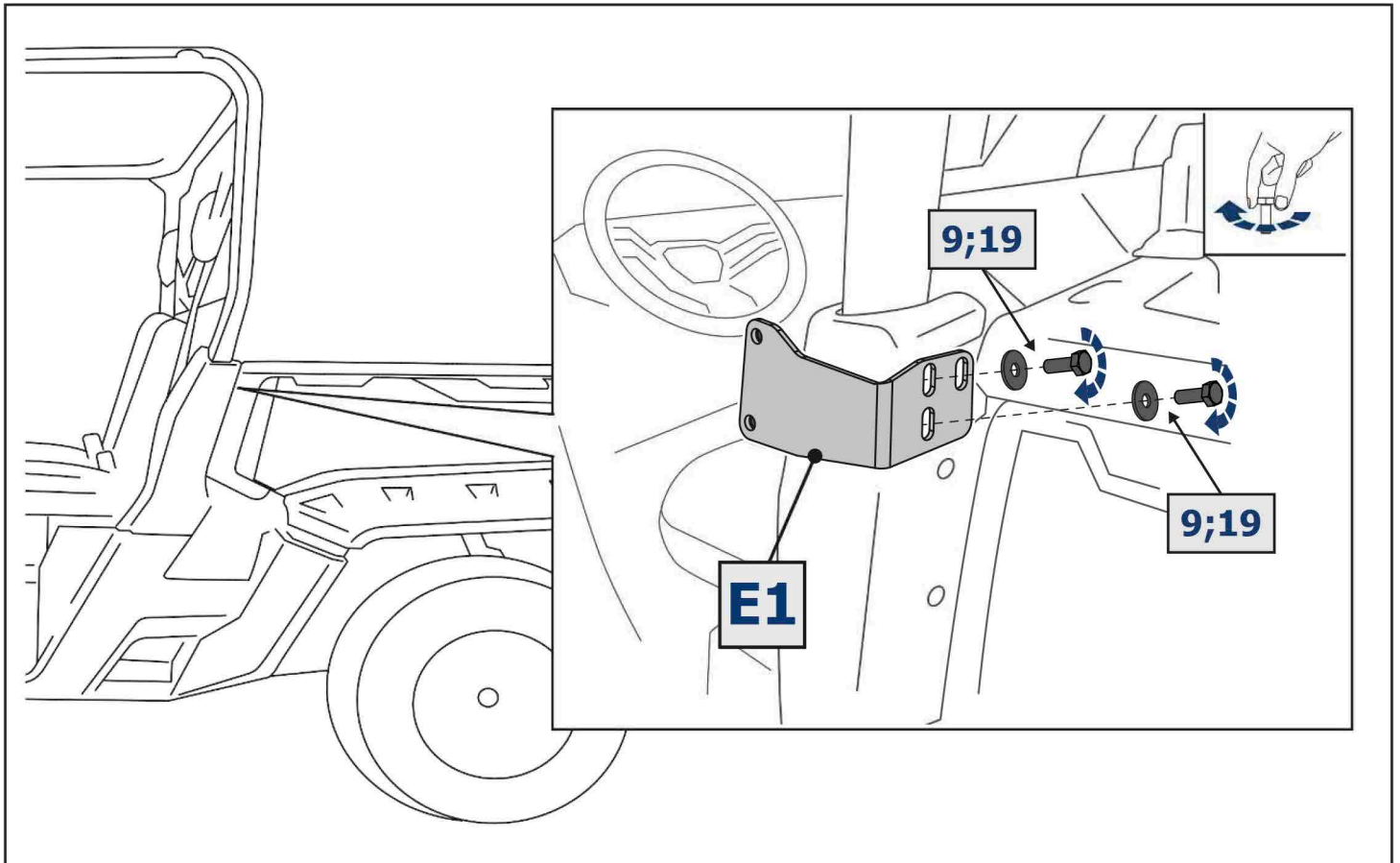


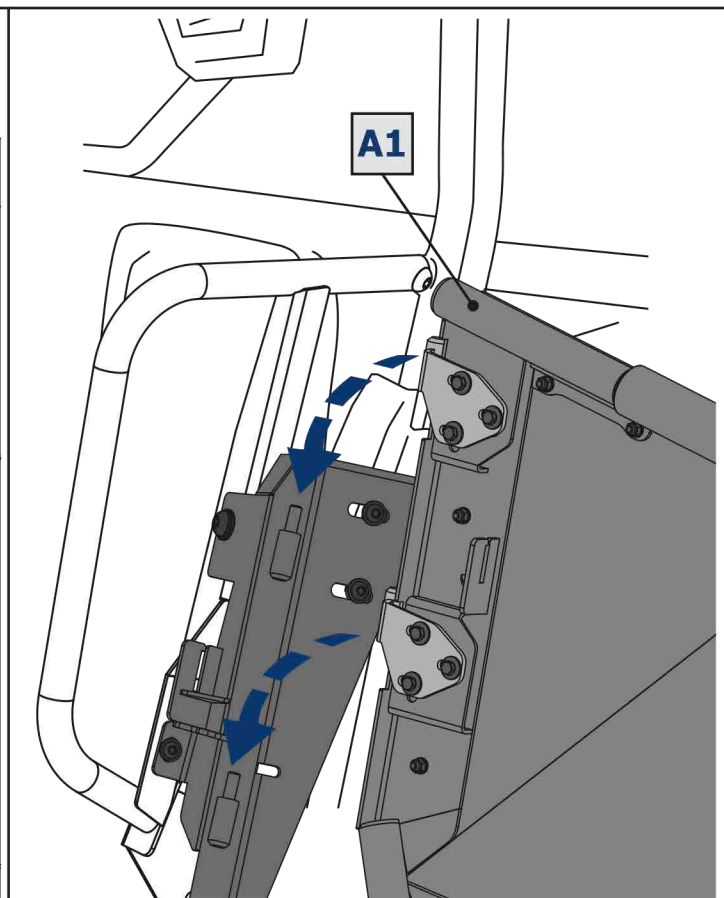
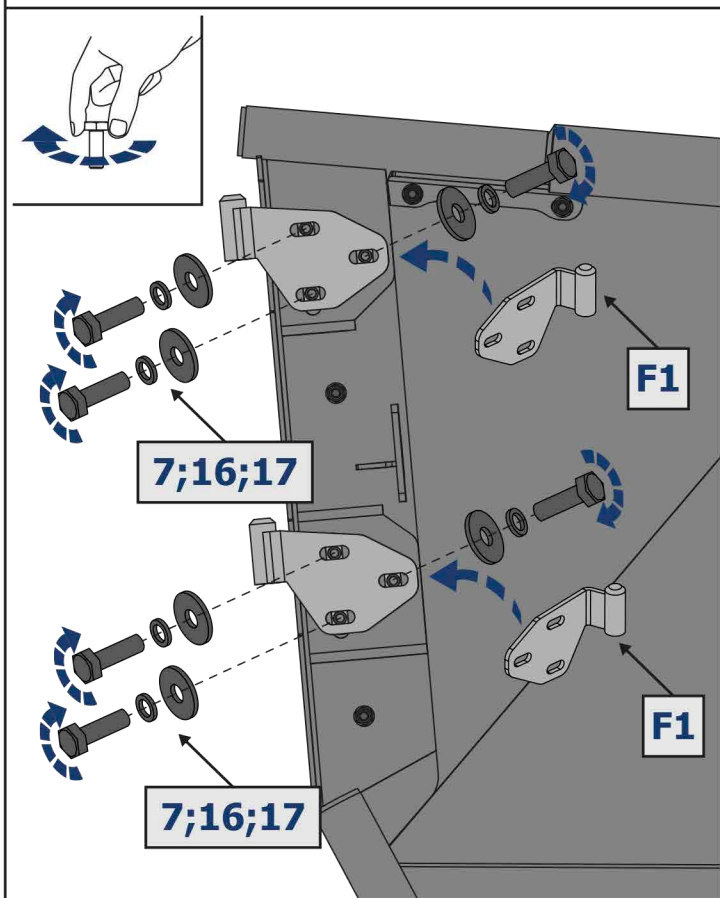
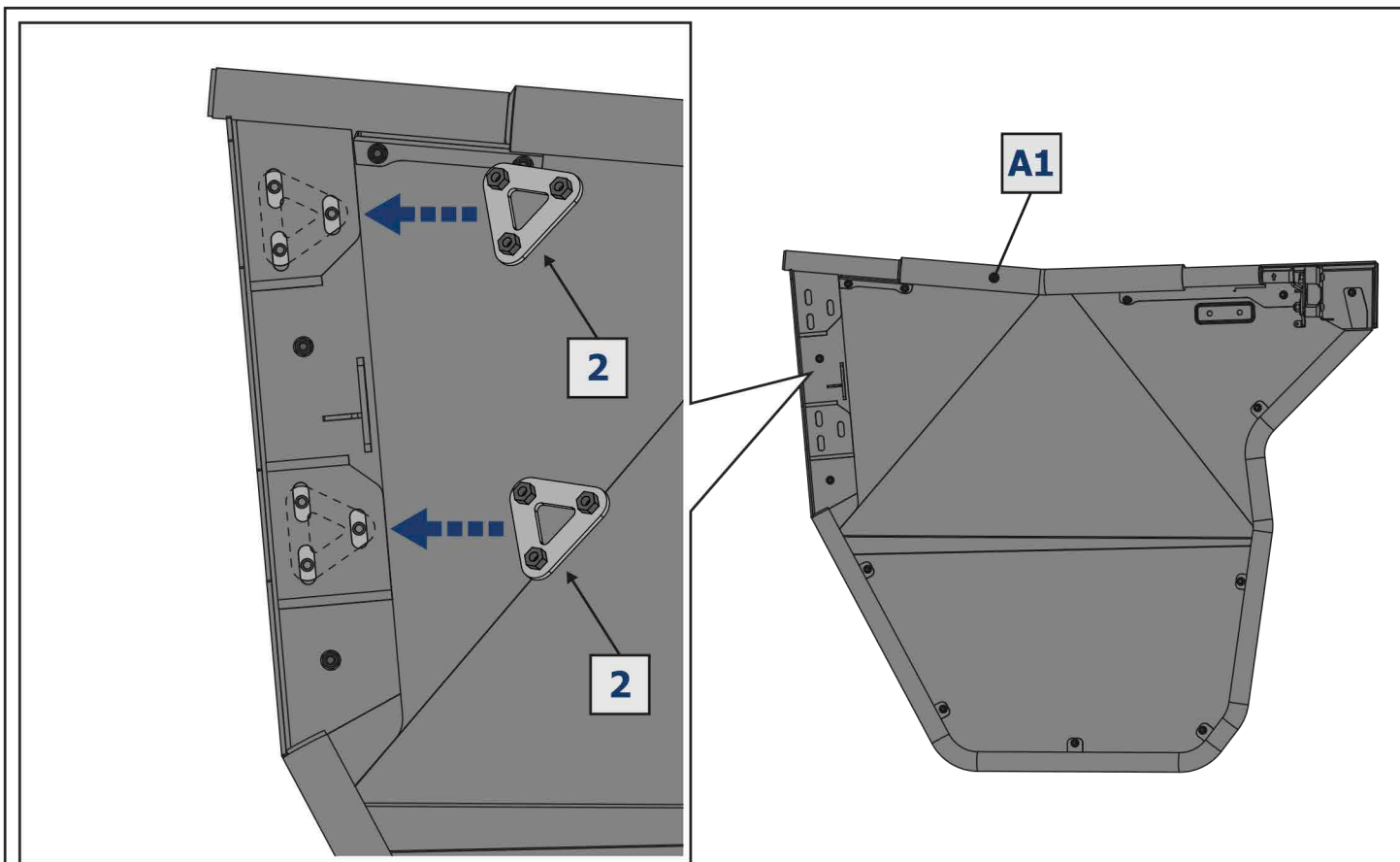
**REINSTALL PROTECTOR TUBE**

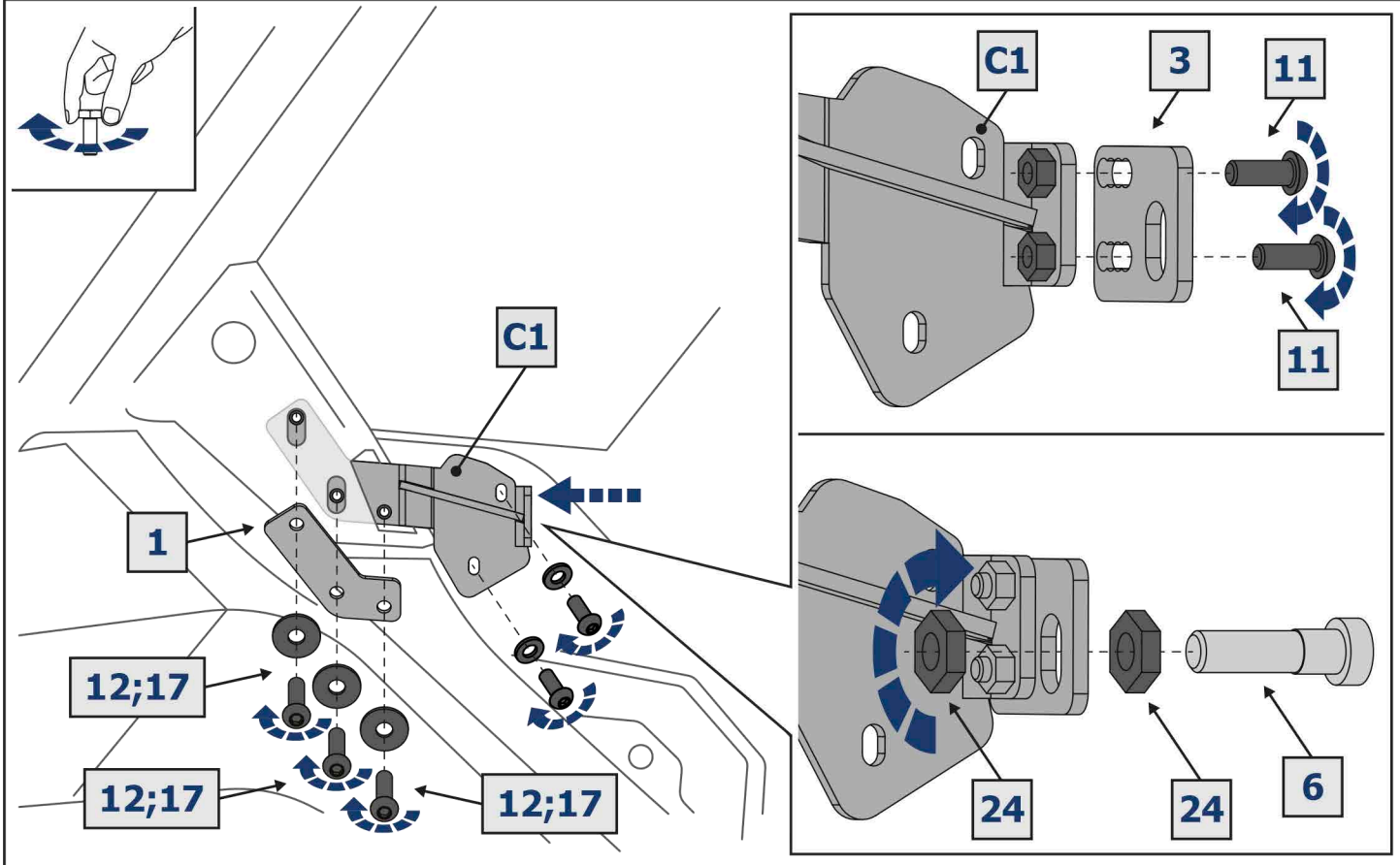
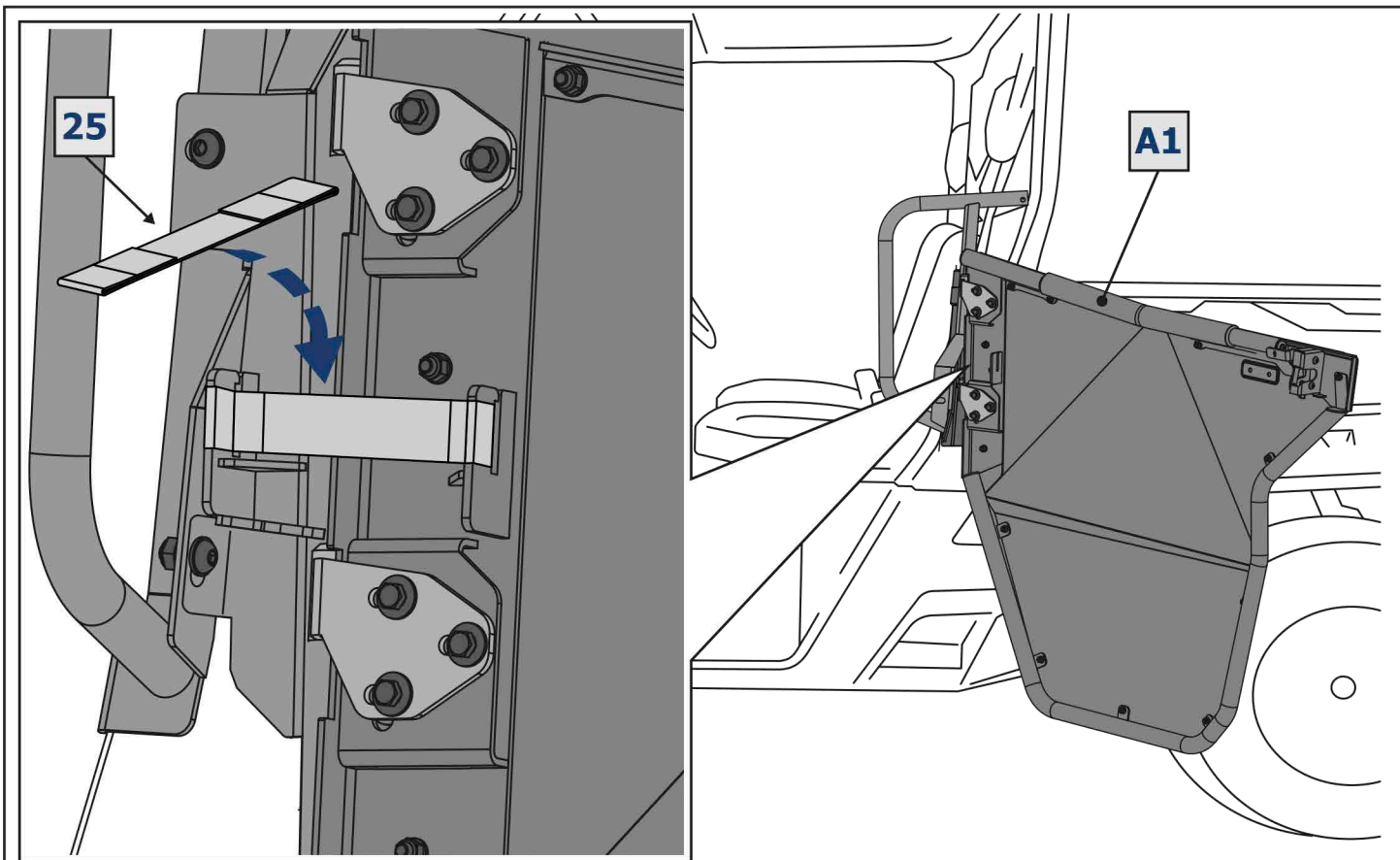


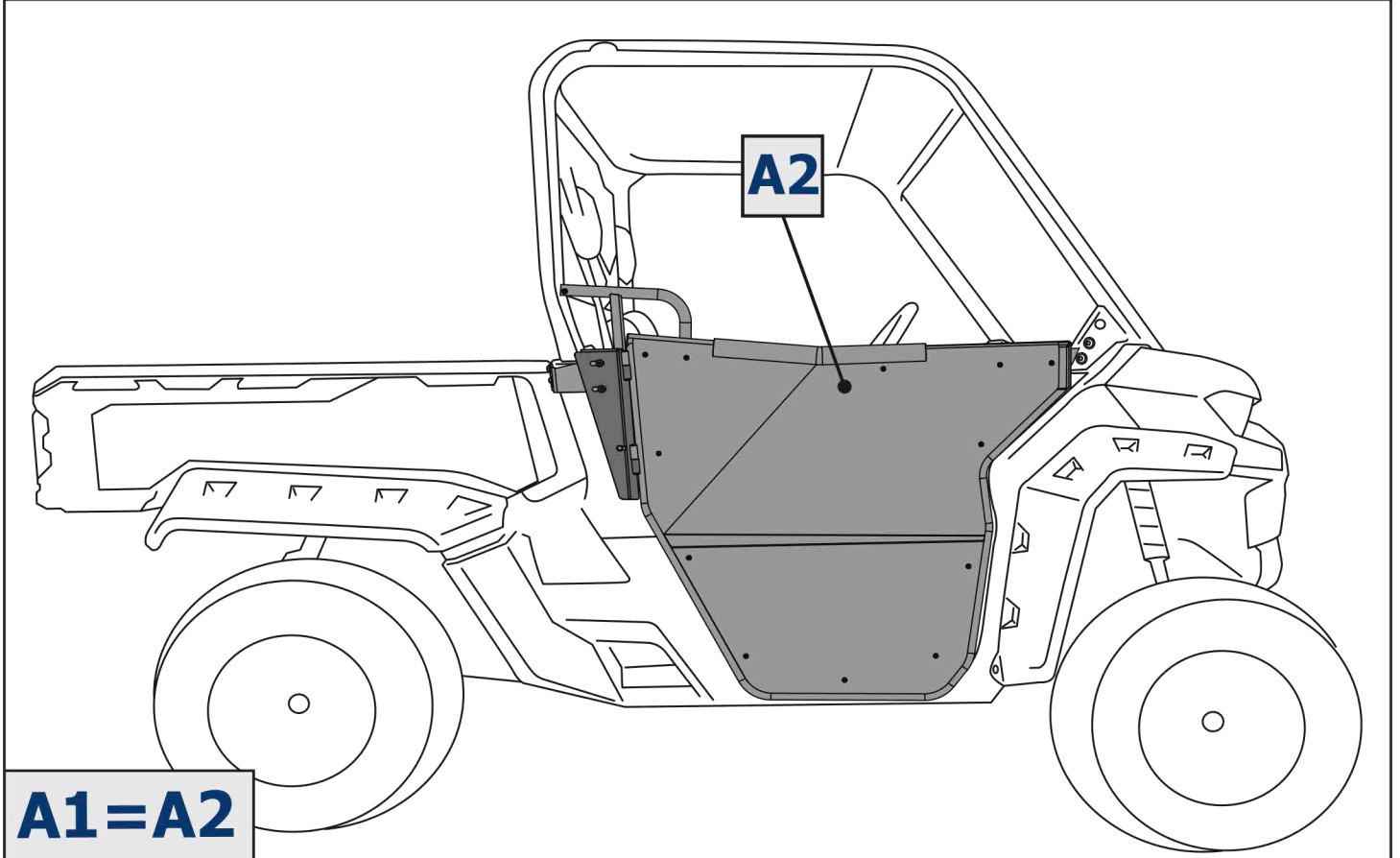
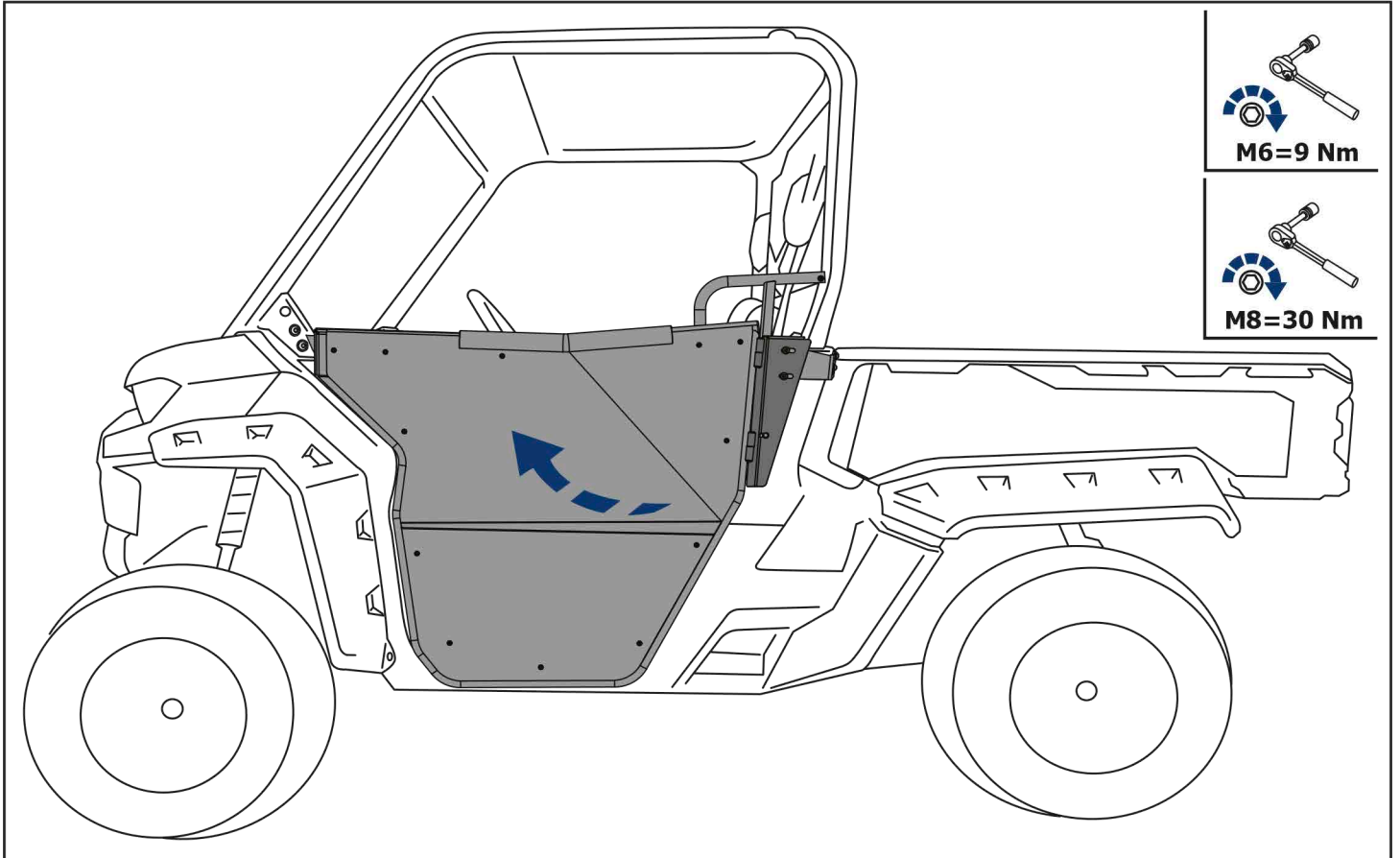
**REMOVE HARDWARE**

11/7/2025 Fitment Update:  
 If installing on a 2026 + HD11 Max Please uses these 15mm or 9/16 inch spacers in the place of spacers NO#21 you find in your kit.  
 Please take these spacers from your front door kit to use them when installing your rear doors when installing on Max. You will then use your normal spacers (NO# 21 on your parts list) on your front doors

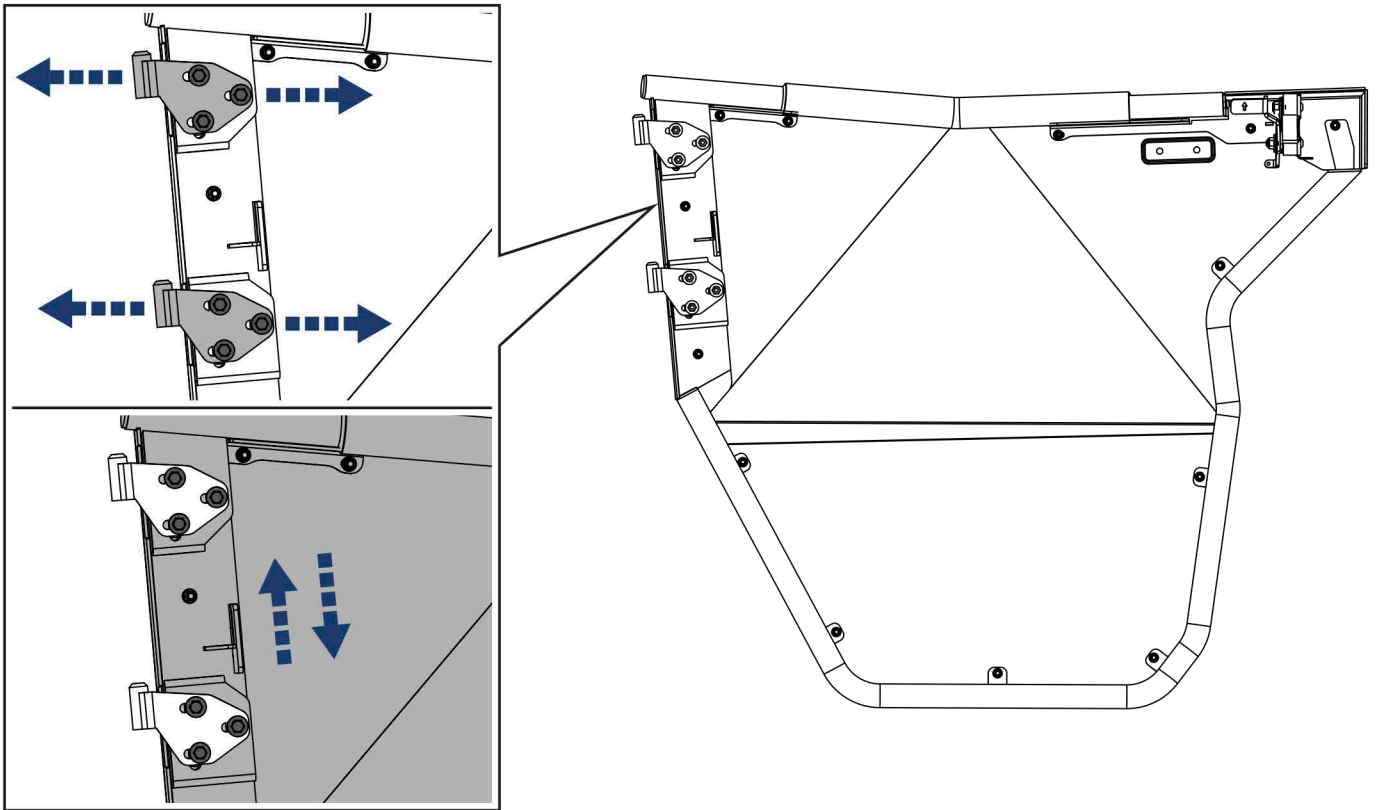




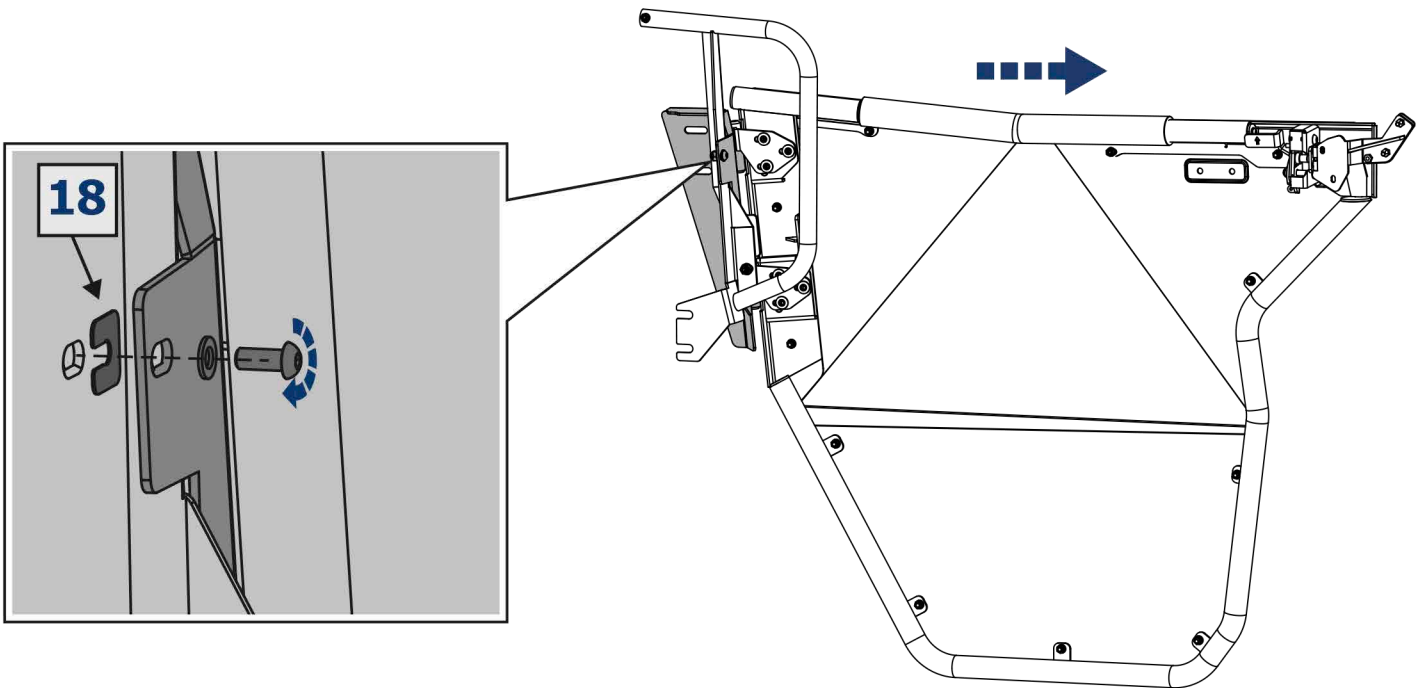




## DOOR POSITION ADJUSTMENT

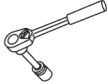
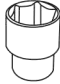



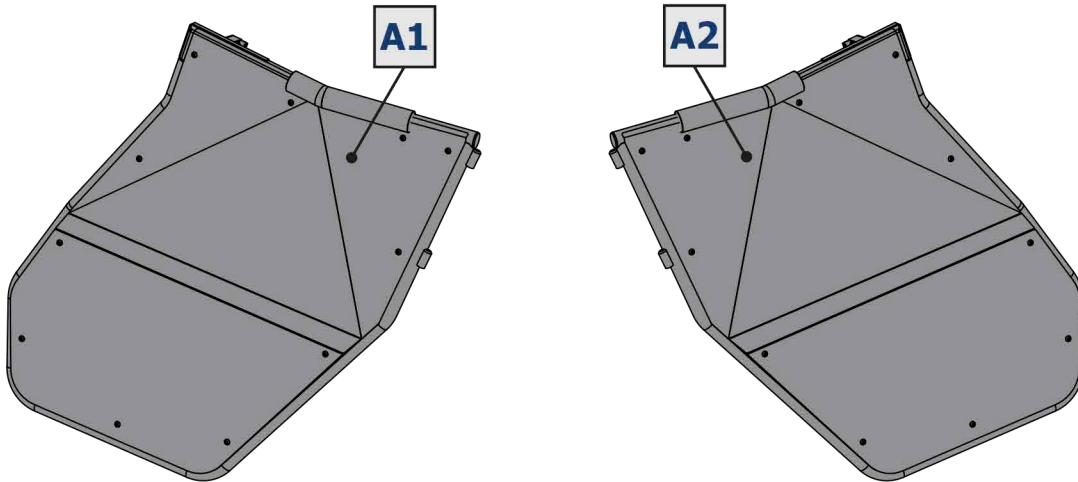
## PACKER INSTALLATION AT BOTH LOCATIONS

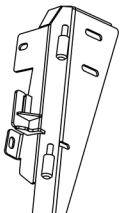
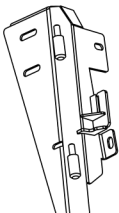
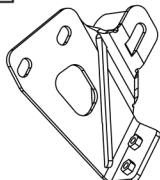
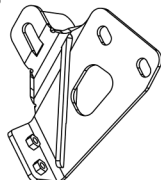

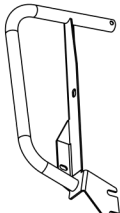
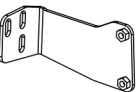
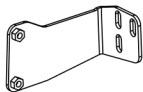
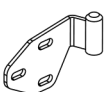
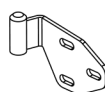
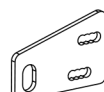
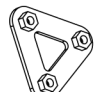

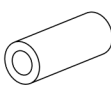
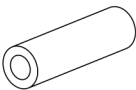
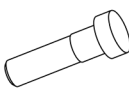
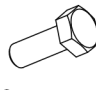
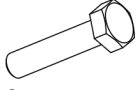
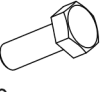
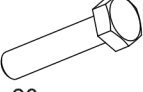
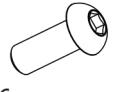
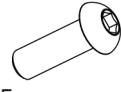
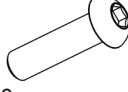
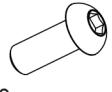
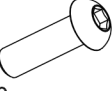




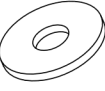




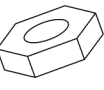
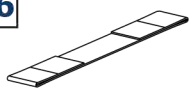


TIP: PERIODICALLY CHECK ALL HARDWARE AND RE-TIGHTEN IF NEEDED.

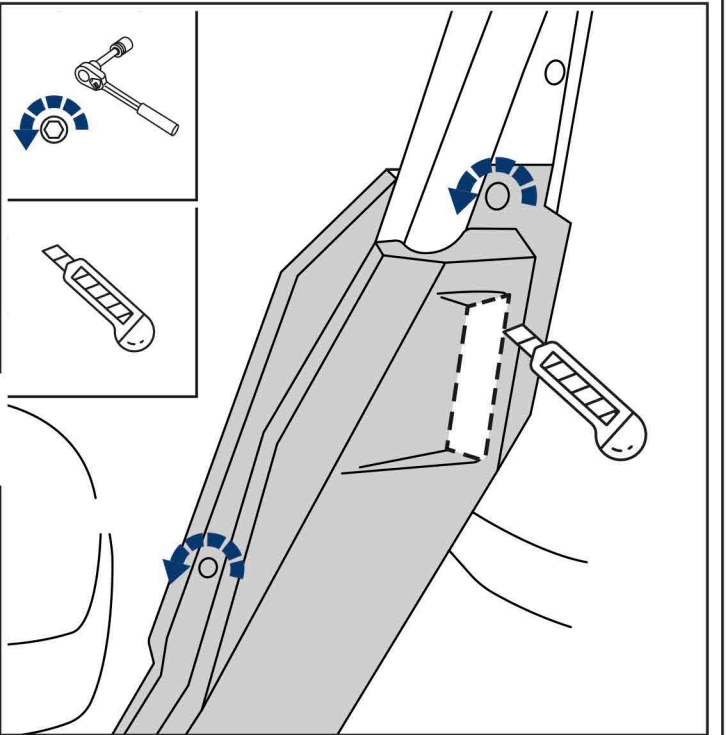
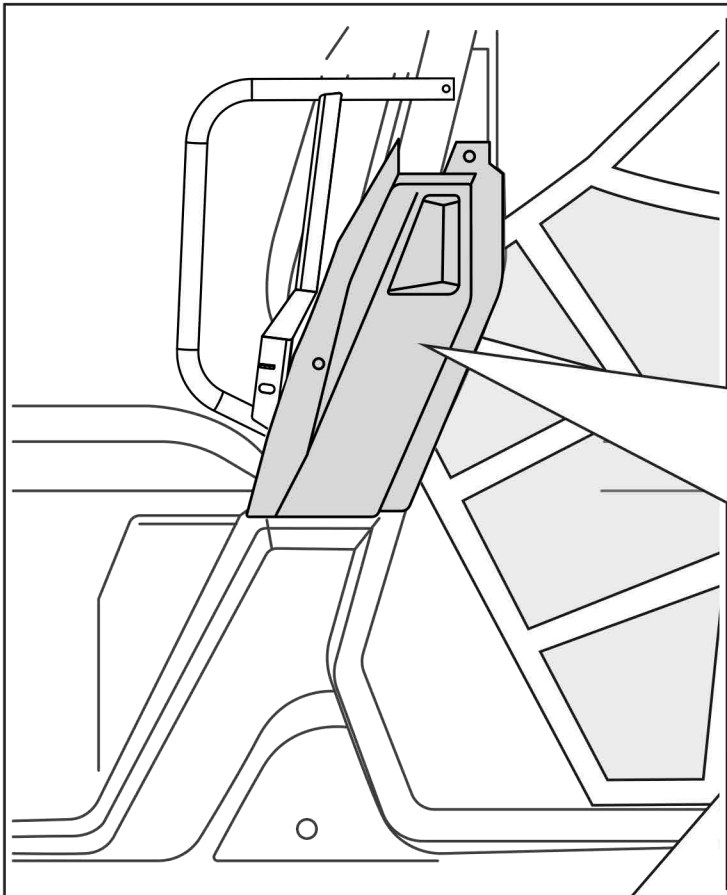
**PART & HARDWARE LIST**  
**REAR DOORS ONLY (2444.7276.2 BOX)**

	EN Ratchet DE Ratsche RU Трещётка		S - 10; S - 17		HEX S - 4; S - 5
-----------------------------------------------------------------------------------	-----------------------------------------	-----------------------------------------------------------------------------------	-------------------	------------------------------------------------------------------------------------	------------------------

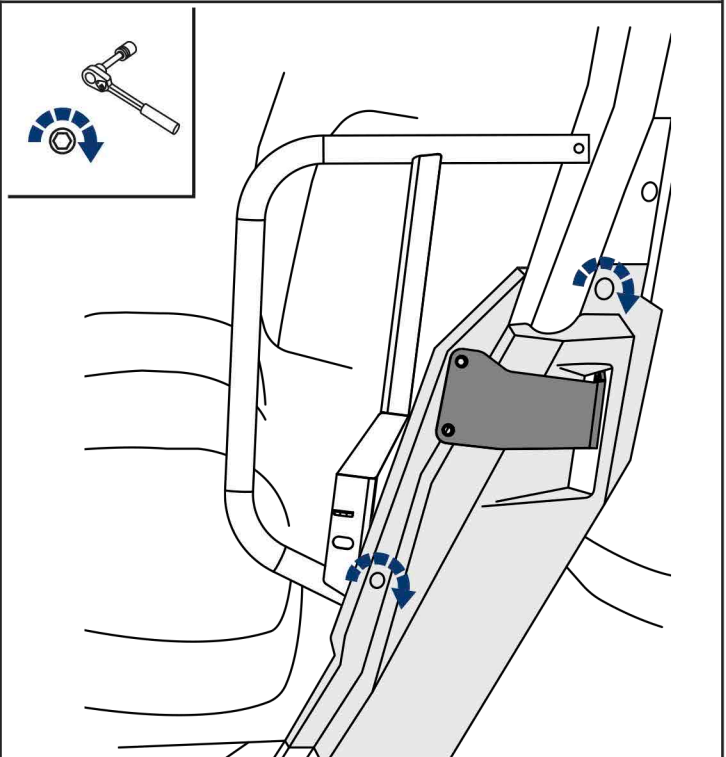
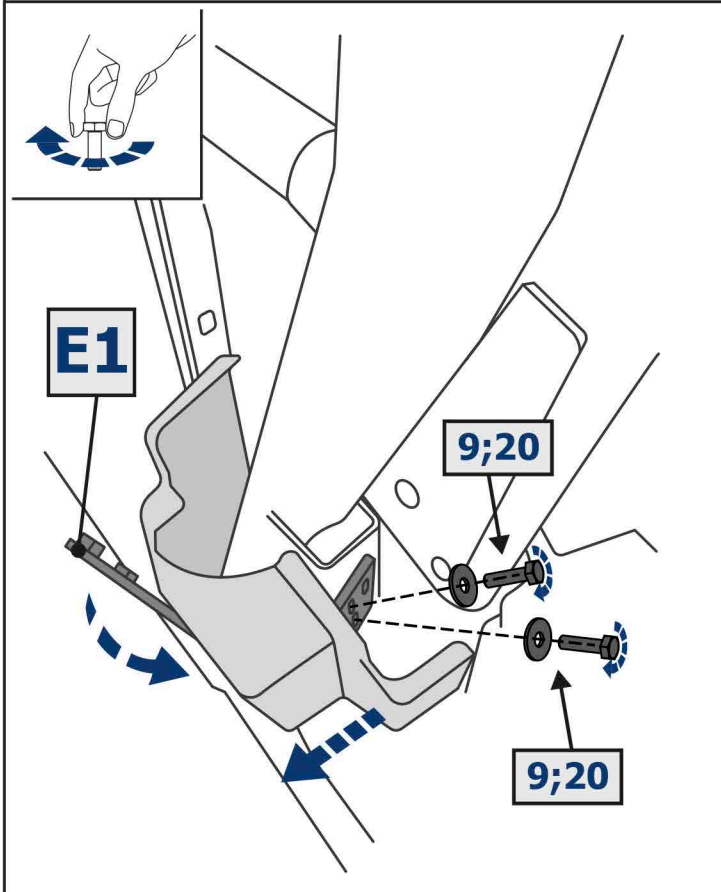


<b>B1</b>  x1	<b>B2</b>  x1	<b>C1</b>  x1	<b>C2</b>  x1	<b>D1</b>  x1	<b>D2</b>  x1
<b>E1</b>  x1	<b>E2</b>  x1	<b>F1</b>  x2	<b>F2</b>  x2	<b>1</b>  x2	<b>2</b>  x4 M6
<b>3</b>  x10	<b>4</b>  x4	<b>5</b>  x2	<b>6</b>  x2	<b>7</b>  x12 M6x20	<b>8</b>  x2 M6x70
<b>9</b>  x4 M8x20	<b>10</b>  x4 M10x80	<b>11</b>  x4 M6x16	<b>12</b>  x2 M6x35	<b>13</b>  x4 M6x50	<b>14</b>  x8 M8x20
<b>15</b>  x2 M8x30	<b>16</b>  x6 ø6	<b>17</b>  x12 ø6	<b>18</b>  x20 ø6	<b>19</b>  x10 ø8	<b>20</b>  x8 ø8
<b>21</b>  x4 ø10	<b>22</b>  x8 ø10	<b>23</b>  x2 M6	<b>24</b>  x4 M8	<b>25</b>  x4 M10	<b>26</b>  x2

PRE-INSTALLATION: LAY OUT COMPONENTS AND COMPARE TO LIST AND IMAGES. IMAGES MAY NOT PORTRAY THE FULL DETAIL OR EXACT SHAPE OF THE PARTS; HOWEVER, THEY REPRESENT PARTS THAT HAVE SAME OR SIMILAR FUNCTION.

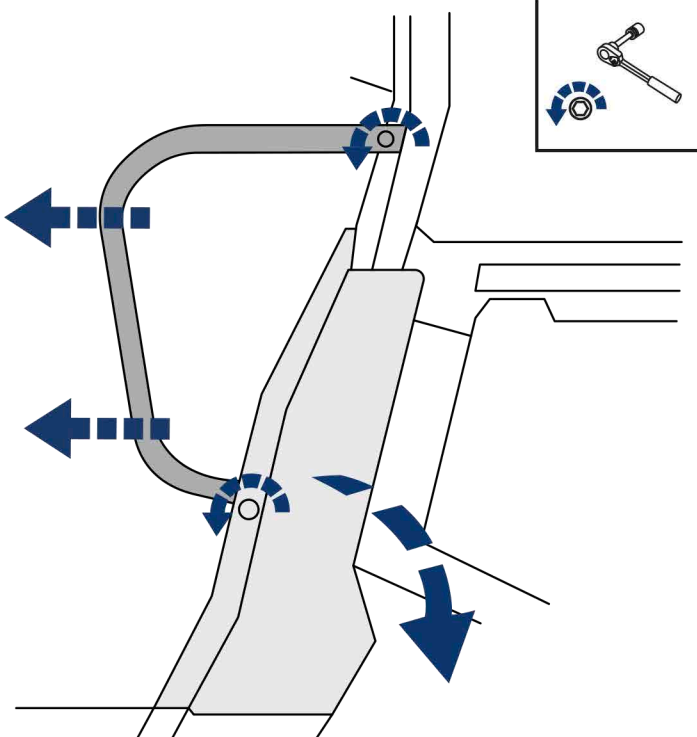
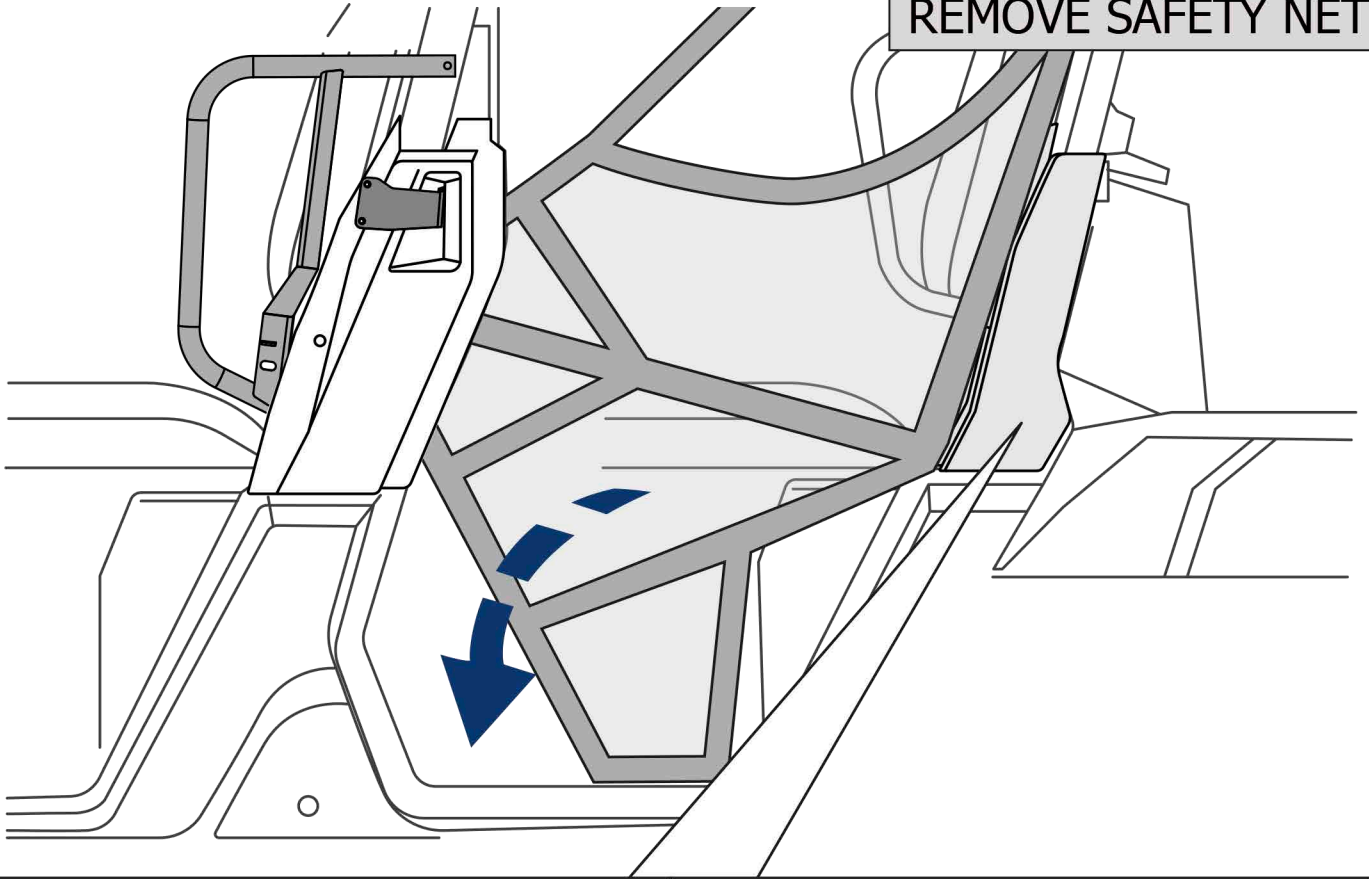


REMOVE MIDDLE CAGE COVER  
CUT NOTCH

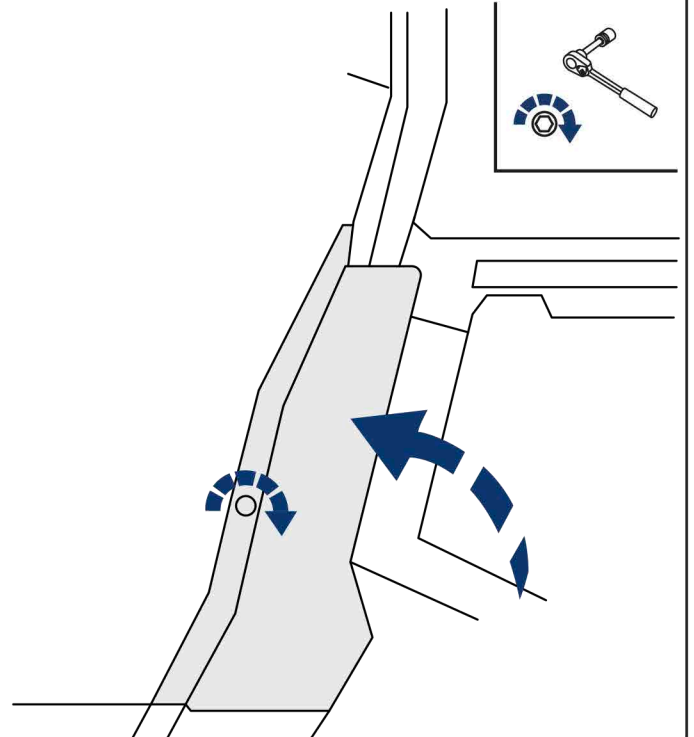


REINSTALL MIDDLE CAGE COVER  
WITH STOCK HARDWARE

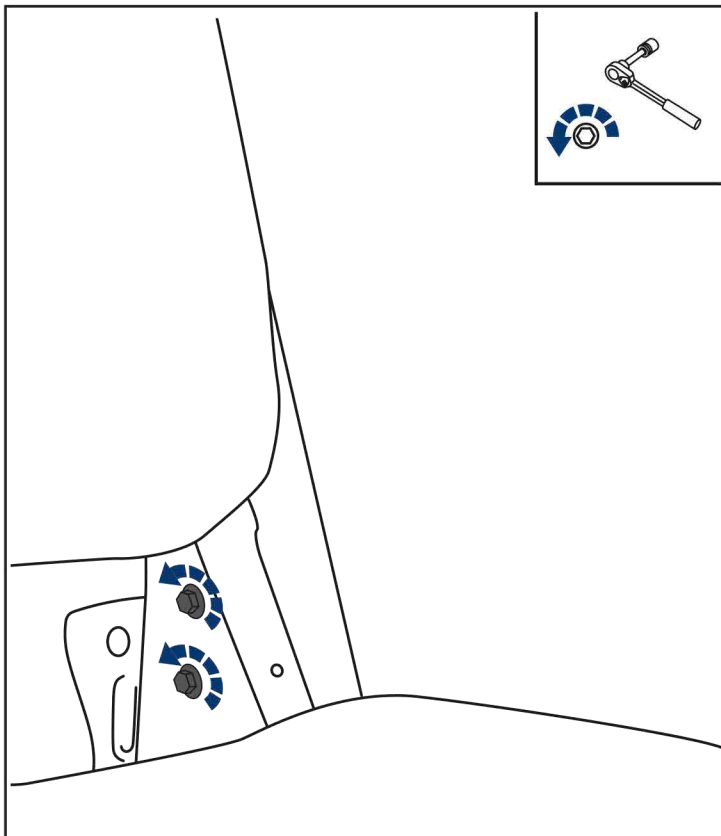
REMOVE SAFETY NET



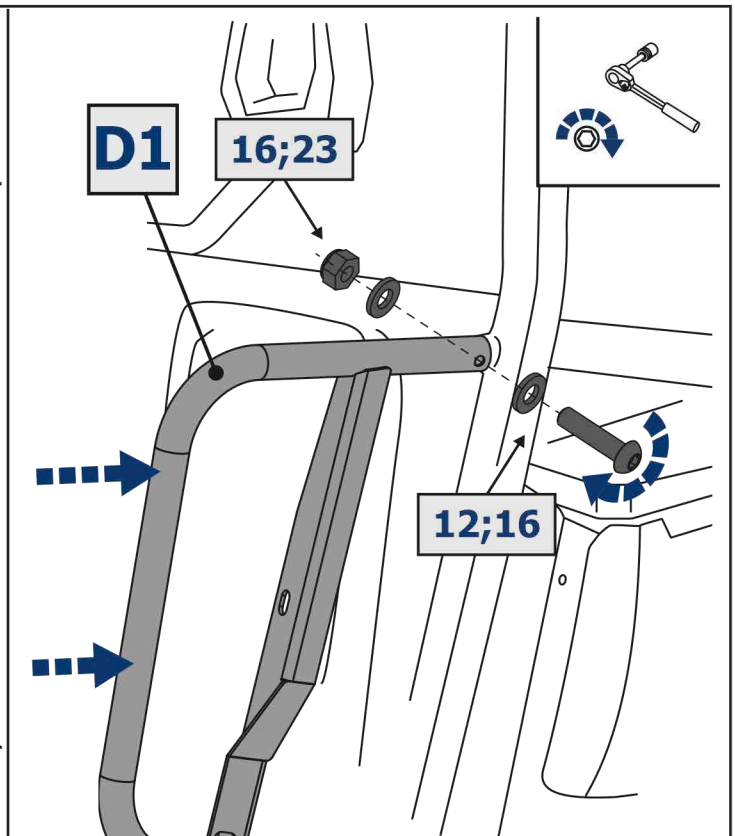
REMOVE PROTECTOR TUBE  
REMOVE REAR CAGE COVER



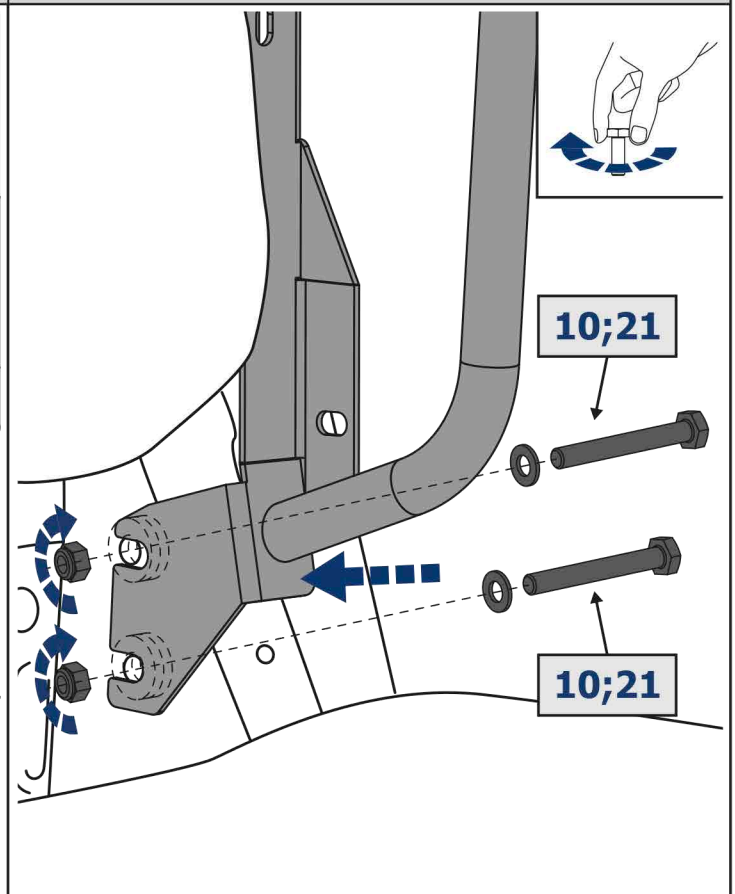
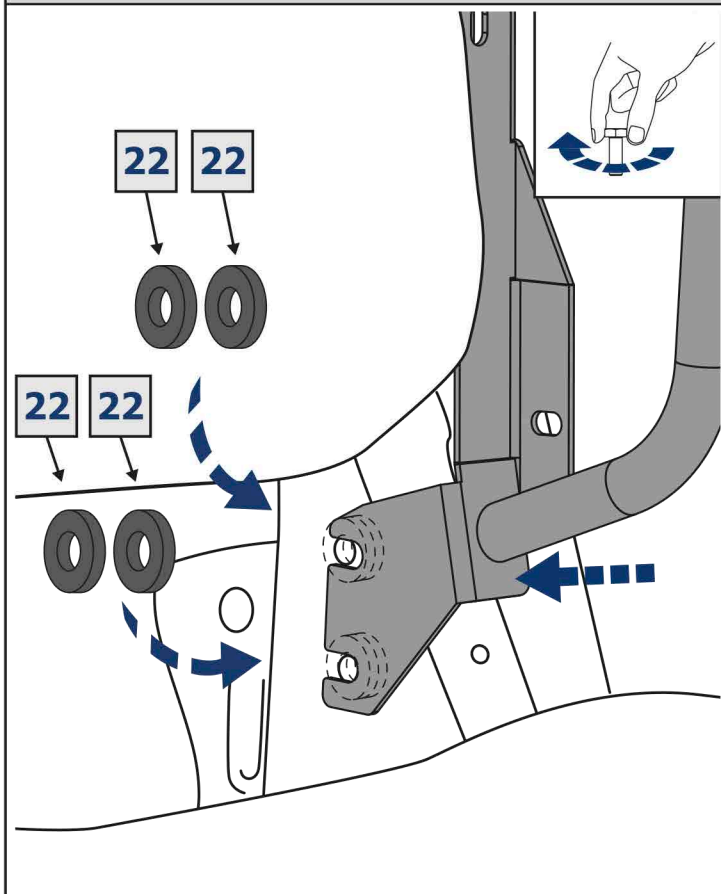
REINSTALL REAR CAGE COVER  
WITH STOCK HARDWARE

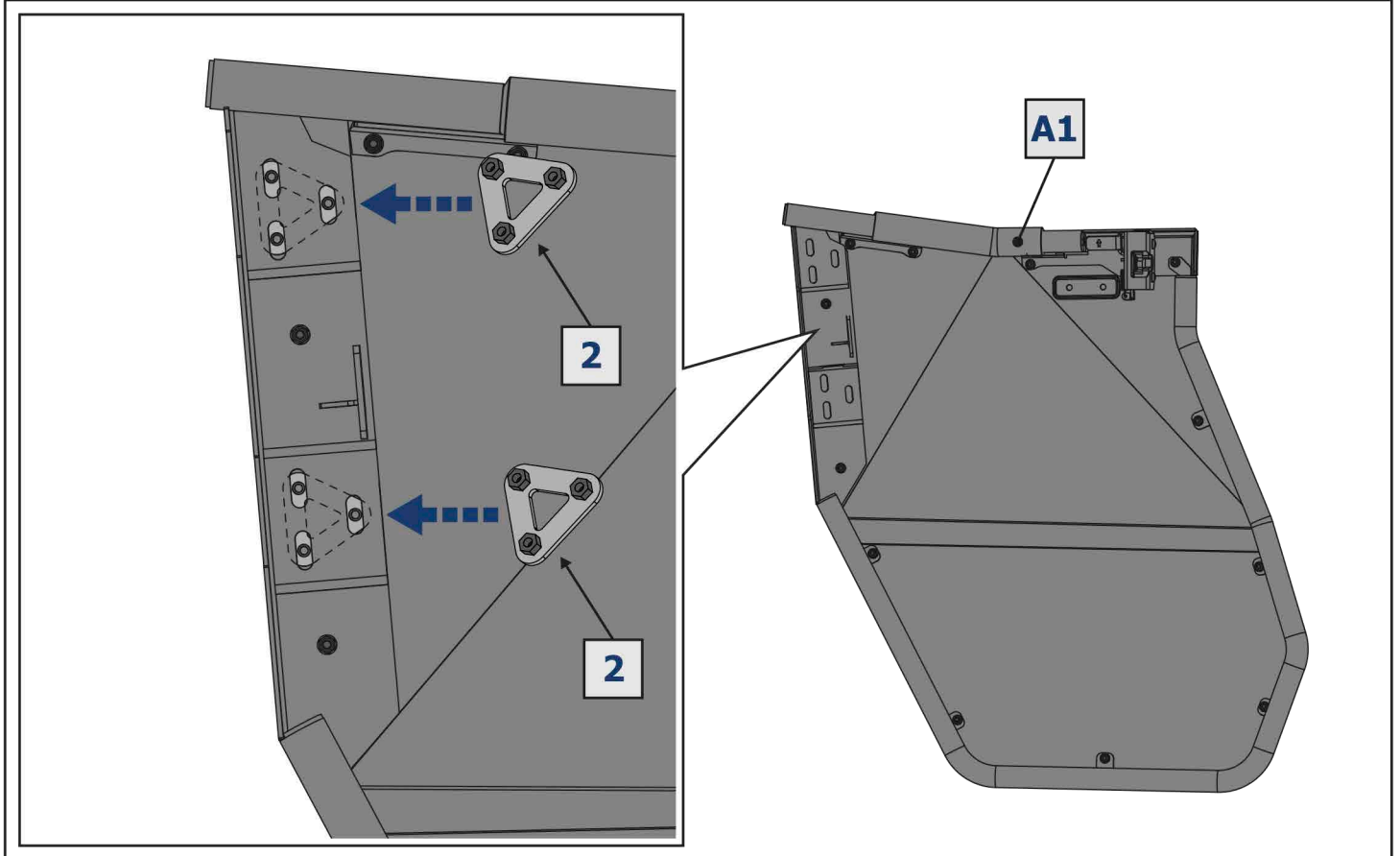
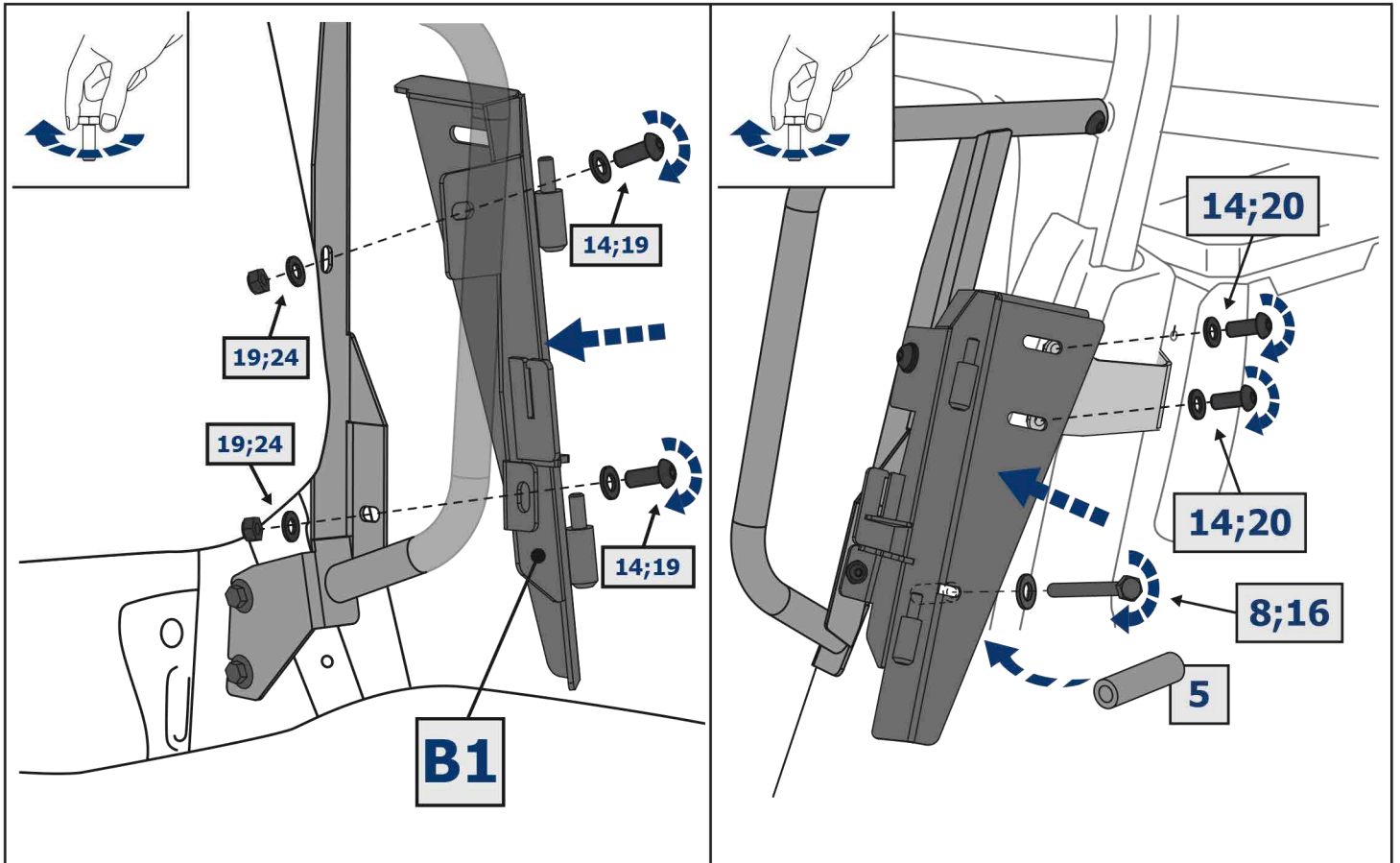


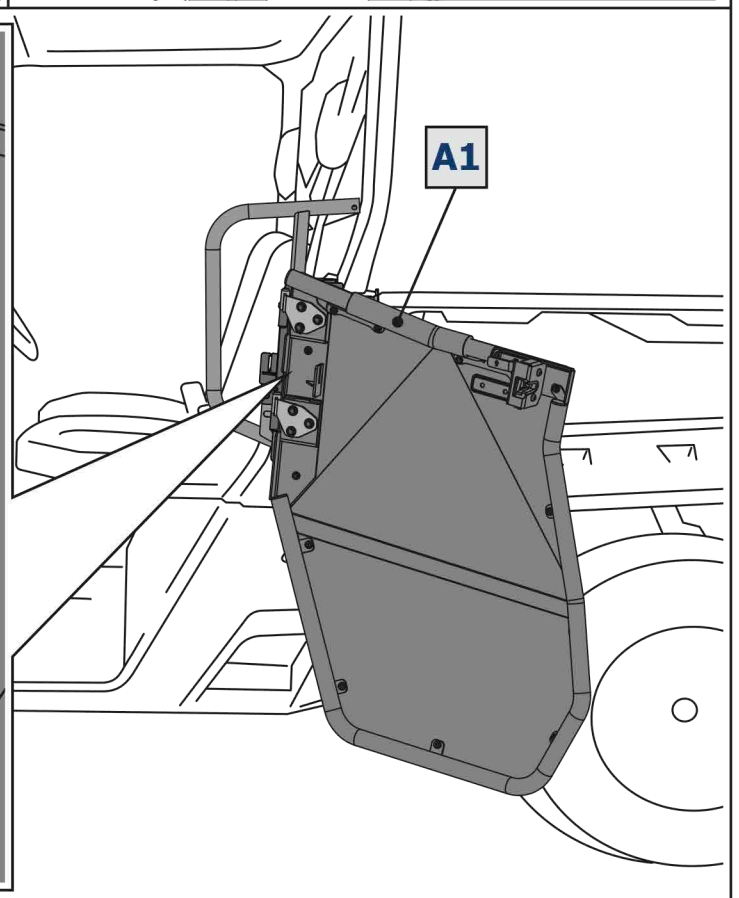
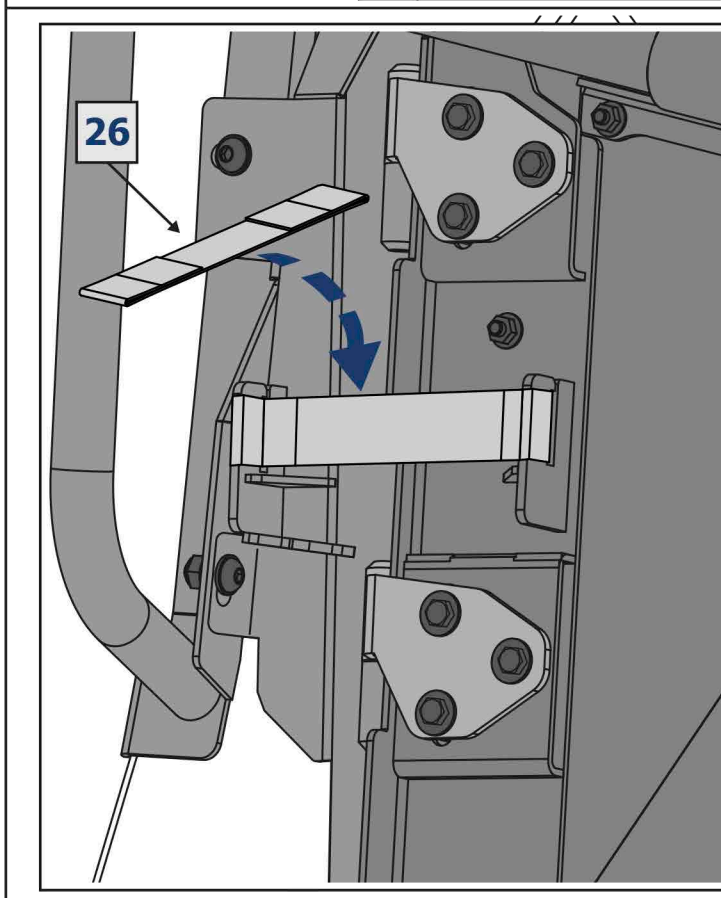
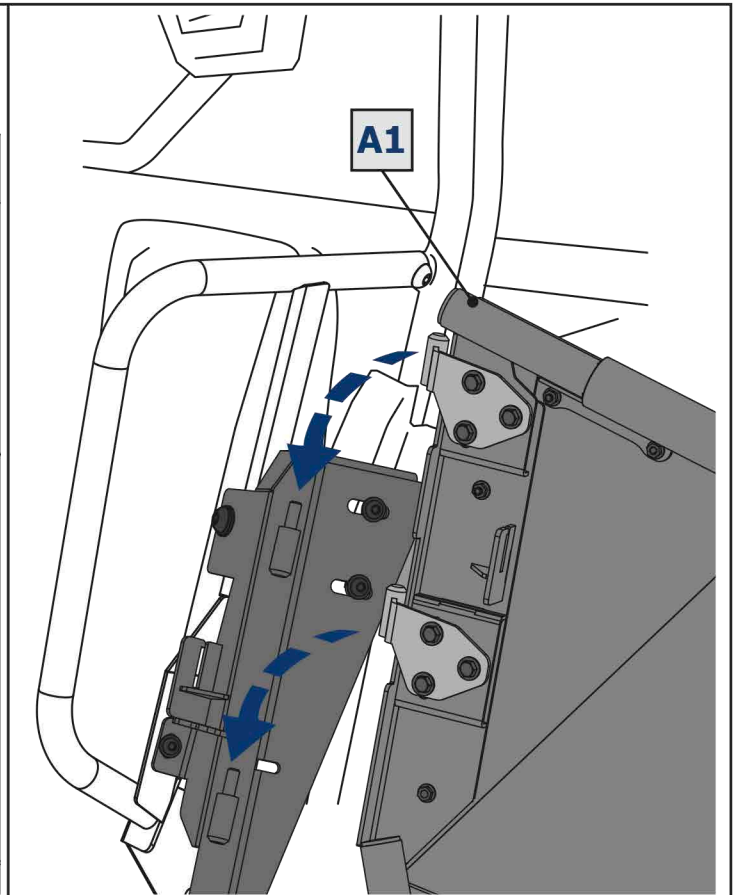
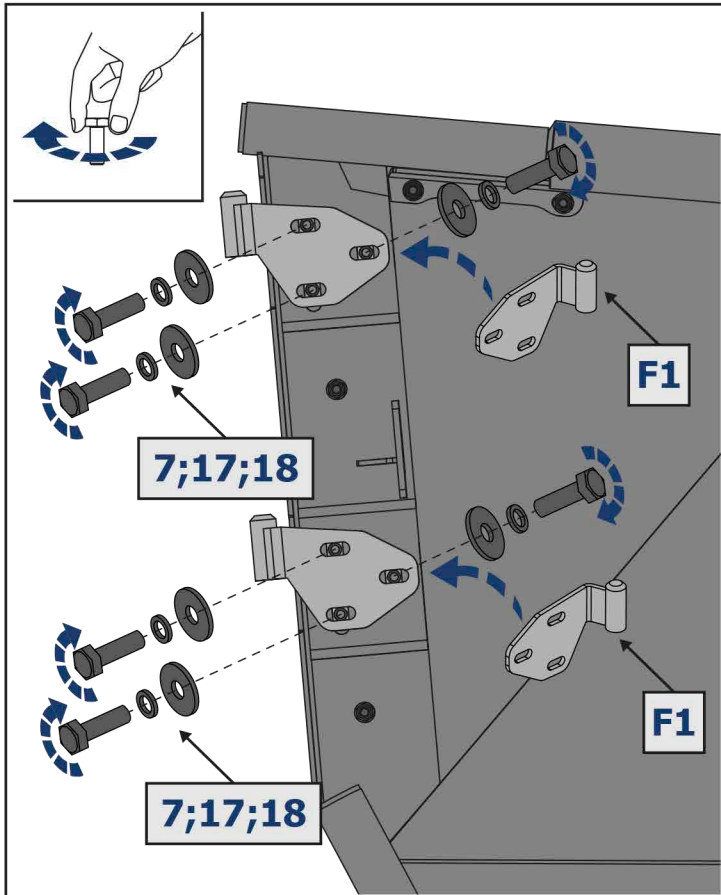
REMOVE HARDWARE

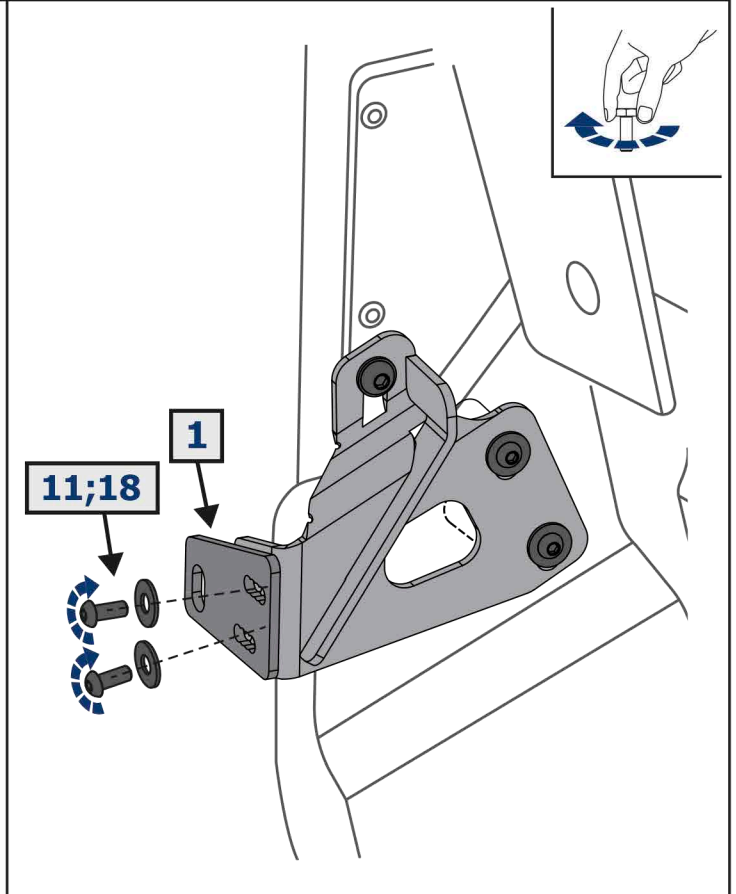
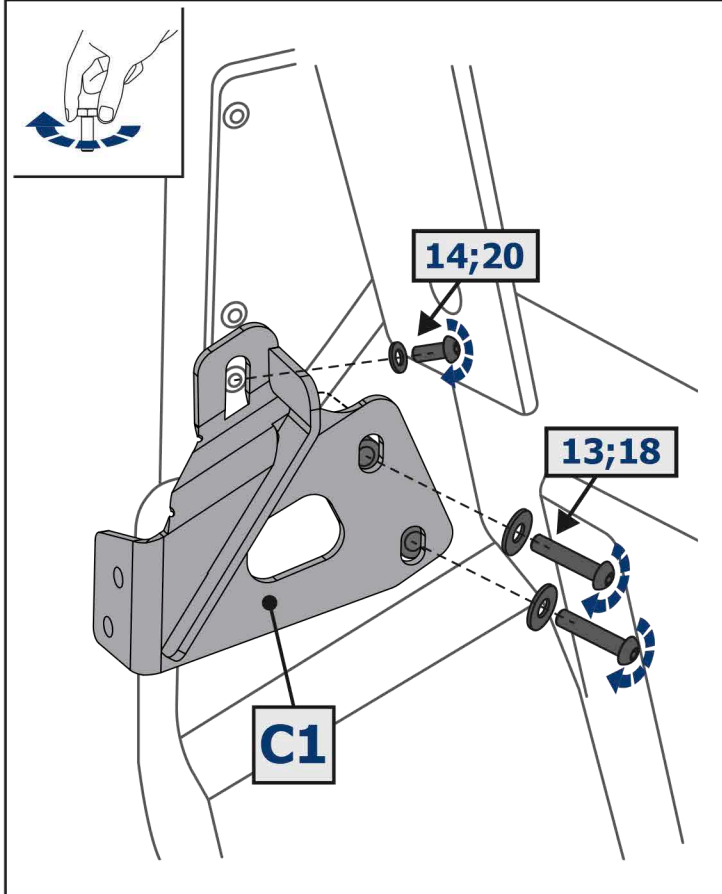
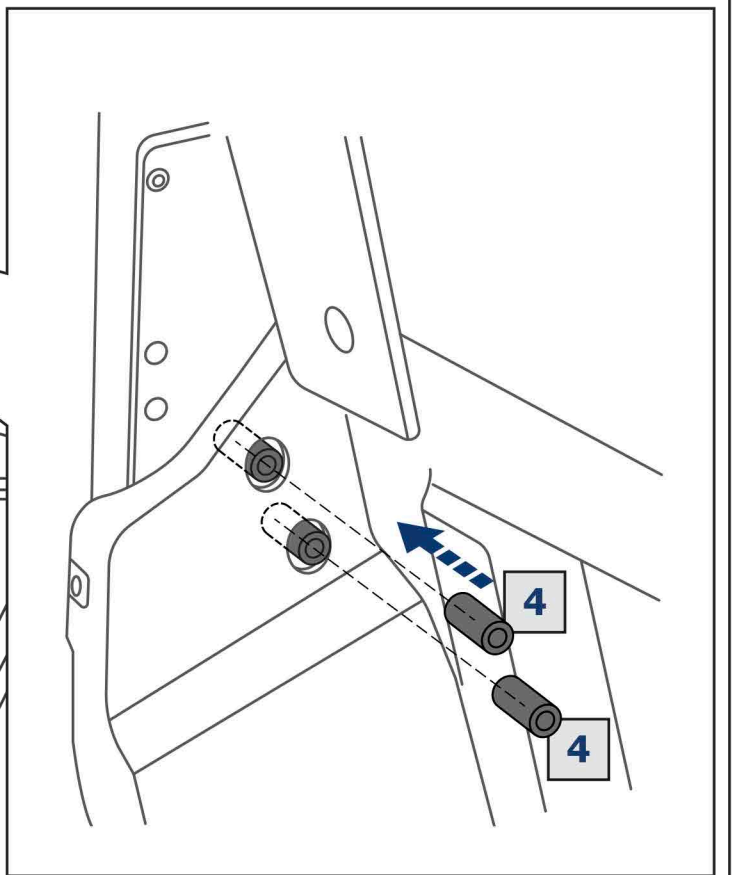
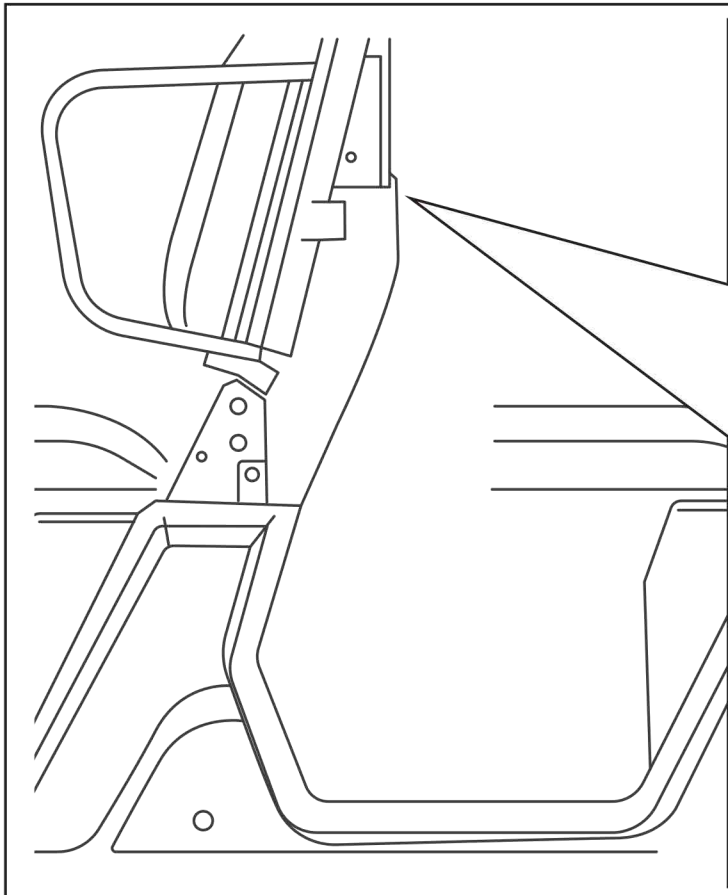


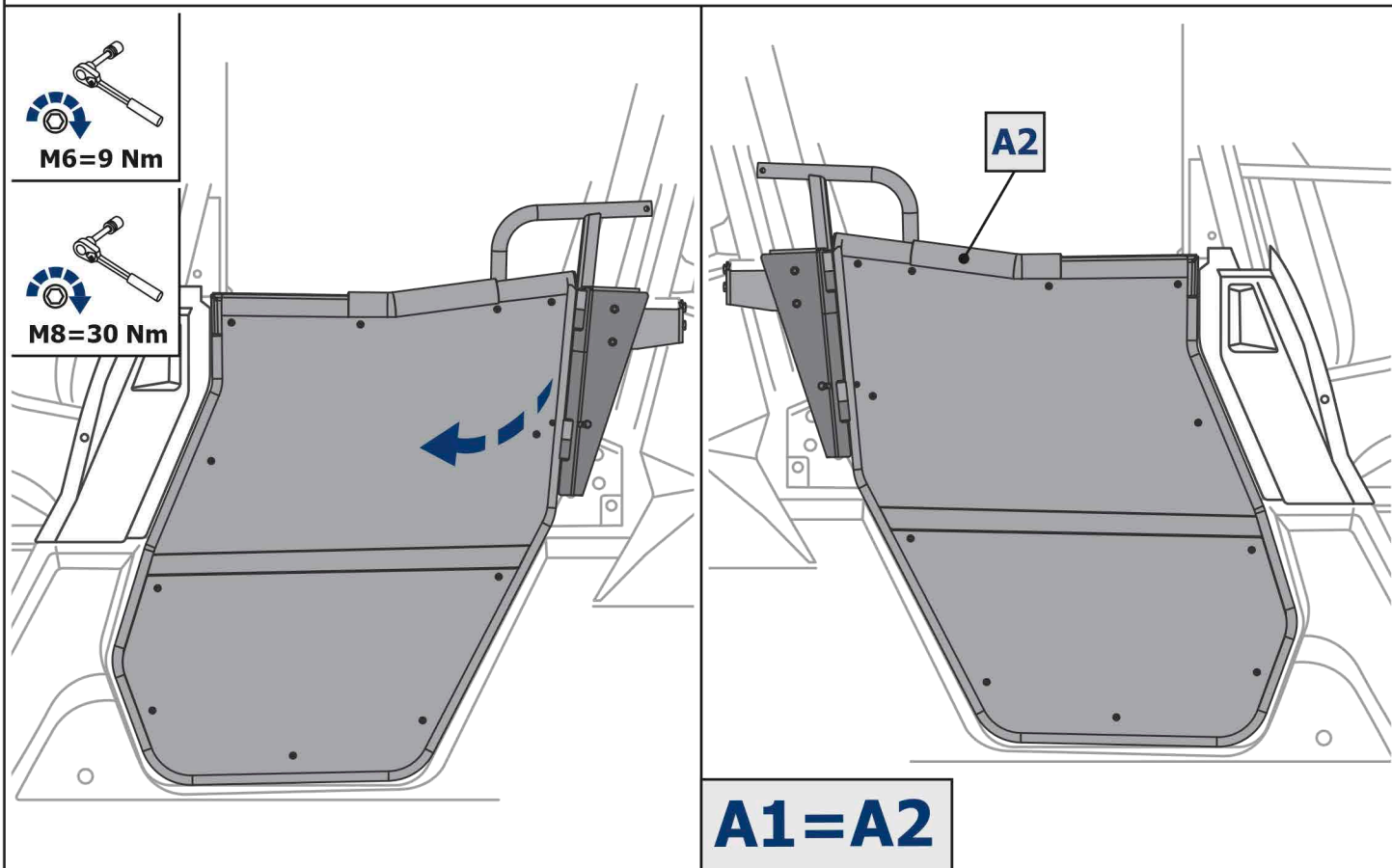
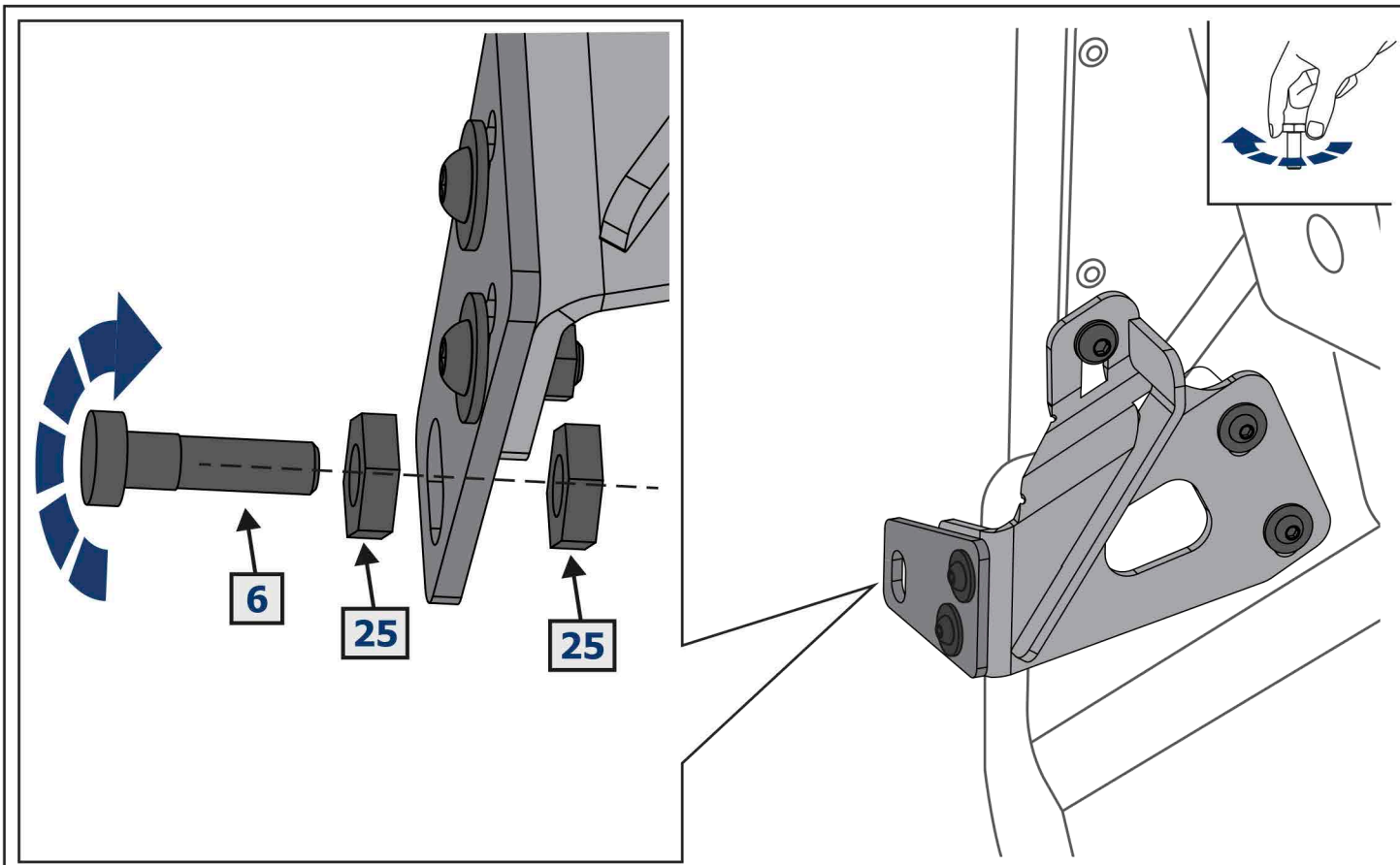
REINSTALL PROTECTOR TUBE



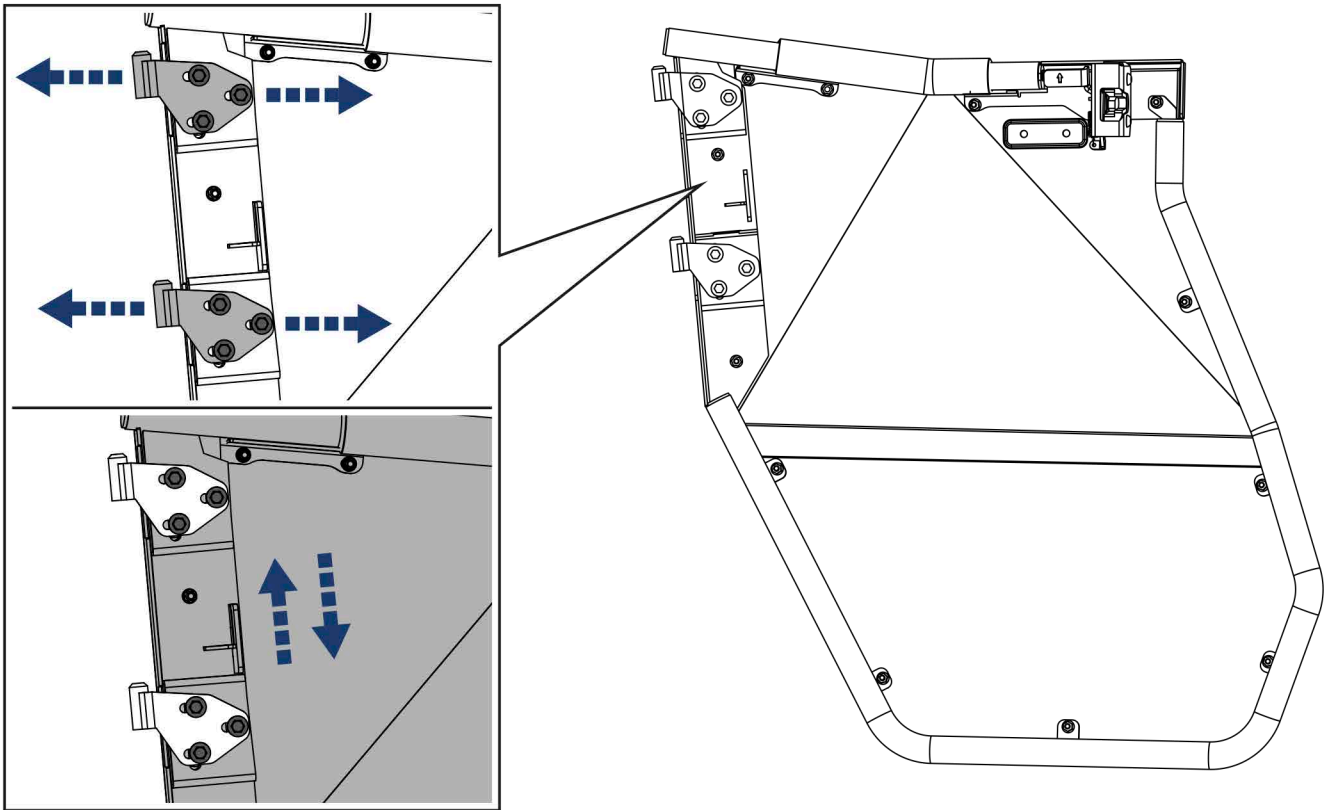




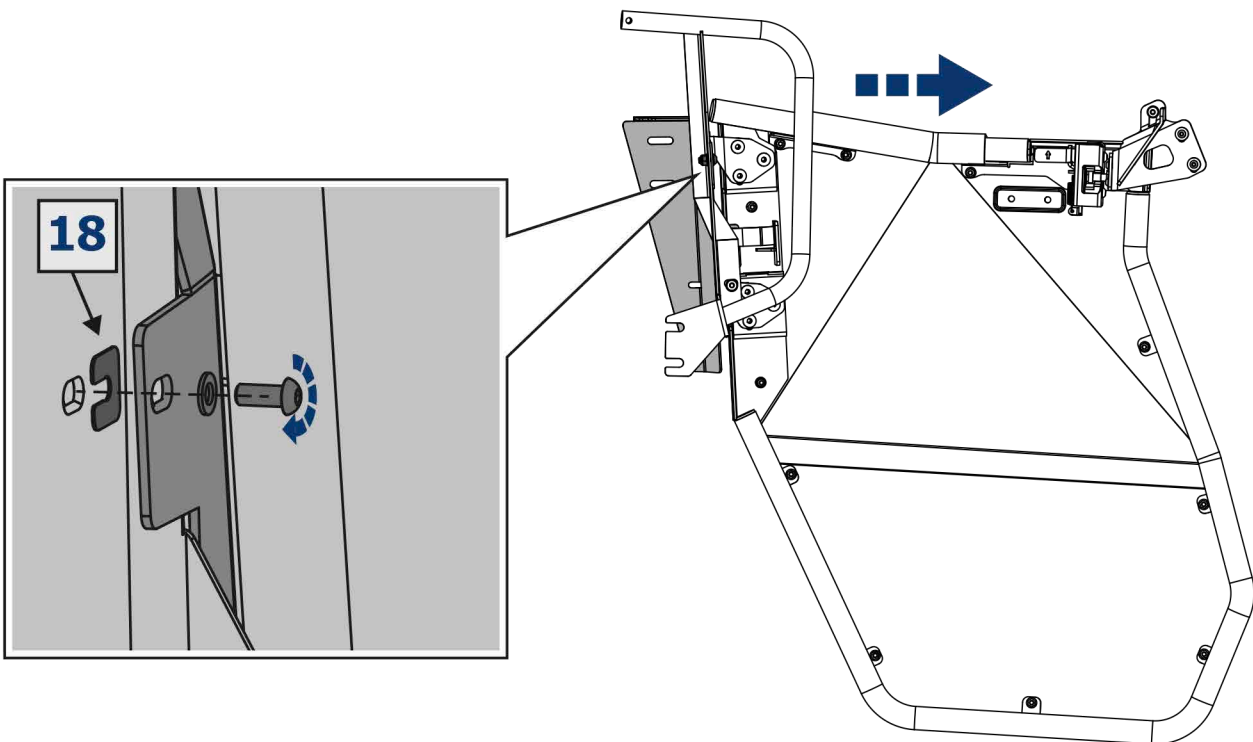




## DOOR POSITION ADJUSTMENT



## PACKER INSTALLATION AT BOTH LOCATIONS



TIP: PERIODICALLY CHECK ALL HARDWARE AND RE-TIGHTEN IF NEEDED.